

HMA**LONG CASED VARIABLE PITCHBLADES****MANUFACTURING FEATURES:**

- Reinforced fan casing manufactured in rolling steel sheet.
- Motor-impeller modular assembly for complete versatility.
- Epoxy powder finishing coat.
- Standard asynchronous squirrel-cage motor with IP-55 protection and Class F insulation. Manufactured with standard voltages: 230V 50Hz in single phase motors and 230/400V 50Hz in three phase motors up to 4kW and 400/690V 50Hz for higher powers.
- HM: Polyamide impeller with variable pitch angle reinforced with fibreglass
- HMA: Cast aluminium impeller with variable pitch angle.

APPLICATIONS:

Designed for inline installation, they are suitable for:

- Air renewal in buildings and industries.
- Smoke extraction (max 50-60°C).
- Maximum working temperature: 1ph 50°C, 3ph 60°C.

UNDER REQUEST:

- 100% reversible impeller.
- 60Hz fans and special voltages.
- Hot-dipped galvanised or stainless steel housing.

Technical data

Single-phase motor / 2 poles

Code	Model	R.P.M.	Rated I. (A) 230V	Rated power kW	Max. Airflow m3/h	Sound db (A)*	Weight	Connect. diagram
26136306__A	HMA 35 M2 0,55kW (A0:6)	2800	3,71	0,55	4.690	-	16	1
26139306__A	HMA 35 M2 1,1kW (A0:6)	2800	6,71	1,10	5.760	-	16	1

Single-phase motor / 4 poles

Code	Model	R.P.M.	Rated I. (A) 230V	Rated power kW	Max. Airflow m3/h	Sound db (A)*	Weight	Connect. diagram
26135306__A	HMA 35 M4 0,12kW (A0:6)	1380	1,15	0,12	3.100	-	12	1
26140306__A	HMA 40 M4 0,25kW (A0:6)	1400	1,93	0,25	4.690	-	19	1
26145306__A	HMA 45 M4 0,37kW (A0:6)	1400	2,82	0,37	6.605	-	21	1
26150306__A	HMA 50 M4 0,55kW (A0:6)	1400	3,98	0,55	9.320	-	29	1
26157356__A	HMA 56 M4 0,37kW (A5:6)	1400	2,82	0,37	7.230	-	55	1
26158326__A	HMA 56 M4 0,55kW (A2:6)	1400	3,98	0,55	8.290	-	57	1
26158356__A	HMA 56 M4 0,55kW (A5:6)	1400	3,98	0,55	8.680	-	57	1

Single-phase motor / 6 poles

Code	Model	R.P.M.	Rated I. (A) 230V	Rated power kW	Max. Airflow m3/h	Sound db (A)*	Weight	Connect. diagram
26143306__A	HMA 40 M6 0,04kW (A0:6)	920	0,6	0,04	2.760	-	15	1
26149306__A	HMA 45 M6 0,13kW (A0:6)	920	1,3	0,13	4.710	-	18	1
26152306__A	HMA 50 M6 0,13kW (A0:6)	920	1,3	0,13	6.040	-	27	1
26156326__A	HMA 56 M6 0,25kW (A2:6)	870	2,42	0,25	7.710	-	55	1
26156356__A	HMA 56 M6 0,25kW (A5:6)	870	2,42	0,25	7.700	-	55	1
26157326__A	HMA 56 M6 0,37kW (A2:6)	890	2,9	0,37	9.000	-	55	1
26157356__A	HMA 56 M6 0,37kW (A5:6)	890	2,9	0,37	8.770	-	55	1
26163356__A	HMA 63 M6 0,37kW (A5:6)	890	2,9	0,37	10.760	-	63	1
26162329__A	HMA 63 M6 0,55kW (A2:9)	890	3,9	0,55	11.900	-	68	1
26162356__A	HMA 63 M6 0,55kW (A5:6)	890	3,9	0,55	12.050	-	64	1
26171326__A	HMA 71 M6 0,55kW (A2:6)	890	3,9	0,55	15.500	-	73	1
26171329__A	HMA 71 M6 0,55kW (A2:9)	890	3,9	0,55	12.700	-	73	1

Three-phase motor / 2 poles

Code	Model	R.P.M.	Rated I. (A) 400V	Rated power kW	Max. Airflow m3/h	Sound db (A)*	Weight	Connect. diagram
26136606__A	HMA 35 T2 0,55kW (A0:6)	2800	1,29	0,55	4.690	-	16	2
26139606__A	HMA 35 T2 1,1kW (A0:6)	2800	2,33	1,10	5.760	-	16	2
26142606__A	HMA 40 T2 1,1kW (A0:6)	2800	2,33	1,10	7.850	-	25	2
26144694__A	HMA 45 T2 0,75kW (A9:4)	2800	1,58	0,75	7.860	-	23	2
26143694__A	HMA 45 T2 1,1kW (A9:4)	2800	2,33	1,10	9.160	-	25	2
26143698__A	HMA 45 T2 1,1kW (A9:8)	2800	2,33	1,10	7.850	-	25	2
26146606__A	HMA 45 T2 1,5kW (A0:6)	2865	3,14	1,50	9.560	-	29	2
26146694__A	HMA 45 T2 1,5kW (A9:4)	2865	3,14	1,50	11.000	-	29	2
26146698__A	HMA 45 T2 1,5kW (A9:8)	2865	3,14	1,50	9.460	-	30	2
26148606__A	HMA 45 T2 2,2kW (A0:6)	2840	4,58	2,20	12.161,50	-	32	2
26148694__A	HMA 45 T2 2,2kW (A9:4)	2840	4,58	2,20	13.400	-	31	2
26148698__A	HMA 45 T2 2,2kW (A9:8)	2840	4,58	2,20	11.600	-	32	2
26149694__A	HMA 45 T2 3kW (A9:4)	2880	5,92	3	14.200	-	39	2
26149698__A	HMA 45 T2 3kW (A9:8)	2880	5,92	3	13.100	-	40	2
26153694__A	HMA 50 T2 1,1kW (A9:4)	2800	2,33	1,10	9.800	-	29	2
26154694__A	HMA 50 T2 1,5kW (A9:4)	2865	3,14	1,50	11.900	-	33	2
26154698__A	HMA 50 T2 1,5kW (A9:8)	2865	3,14	1,50	10.000	-	33	2
26155694__A	HMA 50 T2 2,2kW (A9:4)	2840	4,58	2,20	15.800	-	35	2
26155698__A	HMA 50 T2 2,2kW (A9:8)	2840	4,58	2,20	12.400	-	37	2
26152694__A	HMA 50 T2 3kW (A9:4)	2880	5,92	3	17.600	-	43	2
26152698__A	HMA 50 T2 3kW (A9:8)	2880	5,92	3	15.300	-	43	2
26151694__A	HMA 50 T2 4kW (A9:4)	2880	7,63	4	18.500	-	48	2
26151698__A	HMA 50 T2 4kW (A9:8)	2880	7,63	4	17.400	-	50	2
26161694__A	HMA 56 T2 1,5kW (A9:4)	2865	3,14	1,50	12.200	-	56	2
26162694__A	HMA 56 T2 2,2kW (A9:4)	2840	4,58	2,20	14.700	-	58	2
26162698__A	HMA 56 T2 2,2kW (A9:8)	2840	4,58	2,20	12.600	-	62	2
26160694__A	HMA 56 T2 3kW (A9:4)	2880	5,92	3	19.900	-	66	2
26160698__A	HMA 56 T2 3kW (A9:8)	2880	5,92	3	15.500	-	70	2
26159694__A	HMA 56 T2 4kW (A9:4)	2880	7,63	4	22.500	-	71	2
26159698__A	HMA 56 T2 4kW (A9:8)	2880	7,63	4	19.700	-	71	2
26158695__A	HMA 56 T2 5,5kW (A9:5)	2910	10,6	5,50	24.500	-	83	2
26158690__A	HMA 56 T2 5,5kW (A9:10)	2910	10,6	5,50	20.700	-	87	2
26157690__A	HMA 56 T2 7,5kW (A9:10)	2910	14,1	7,50	23.500	-	95	2
26167694__A	HMA 63 T2 1,5kW (A9:4)	2865	3,14	1,50	14.500	-	61	2
26168694__A	HMA 63 T2 2,2kW (A9:4)	2840	4,58	2,20	17.900	-	63	2
26169694__A	HMA 63 T2 3kW (A9:4)	2880	5,92	3	22.700	-	75	2
26169698__A	HMA 63 T2 3kW (A9:8)	2880	5,92	3	15.100	-	75	2

Code	Model	R.P.M.	Rated I. (A) 400V	Rated power kW	Max. Airflow m3/h	Sound db (A)*	Weight	Connect. diagram
26170694__A	HMA 63 T2 4kW (A9:4)	2880	7,63	4	25.400	-	76	2
26170698__A	HMA 63 T2 4kW (A9:8)	2880	7,63	4	19.200	-	80	2
26171690__A	HMA 63 T2 5,5kW (A9:10)	2910	10,6	5,50	21.200	-	92	2
26166695__A	HMA 63 T2 7,5kW (A9:5)	2910	14,1	7,50	28.700	-	96	2
26166690__A	HMA 63 T2 7,5kW (A9:10)	2910	14,1	7,50	26.900	-	100	2
26165695__A	HMA 63 T2 11kW (A9:5)	2940	20,8	11	34.800	-	160	2
26165690__A	HMA 63 T2 11kW (A9:10)	2940	20,8	11	31.100	-	160	2
26164690__A	HMA 63 T2 15kW (A9:10)	2935	27,4	15	36.500	-	173	2

Three-phase motor / 4 poles

Code	Model	R.P.M.	Rated I. (A) 400V	Rated power kW	Max. Airflow m3/h	Sound db (A)*	Weight	Connect. diagram
26135606__A	HMA 35 T4 0,12kW (A0:6)	1400	0,46	0,12	3.100	-	12	2
26140606__A	HMA 40 T4 0,25kW (A0:6)	1400	0,79	0,25	4.690	-	19	2
26147606__A	HMA 45 T4 0,55kW (A0:6)	1400	1,49	0,55	7.260	-	21	2
26150606__A	HMA 50 T4 0,55kW (A0:6)	1400	1,49	0,55	9.320	-	29	2
26157656__A	HMA 56 T4 0,37kW (A5:6)	1400	1,07	0,37	7.230	-	55	2
26158626__A	HMA 56 T4 0,55kW (A2:6)	1400	1,49	0,55	8.290	-	57	2
26158629__A	HMA 56 T4 0,55kW (A2:9)	1400	1,49	0,55	6.590	-	60	2
26158656__A	HMA 56 T4 0,55kW (A5:6)	1400	1,49	0,55	8.680	-	57	2
26159626__A	HMA 56 T4 0,75kW (A2:6)	1410	1,63	0,75	10.500	-	58	2
26159629__A	HMA 56 T4 0,75kW (A2:9)	1410	1,63	0,75	8.170	-	59	2
26159656__A	HMA 56 T4 0,75kW (A5:6)	1410	1,63	0,75	10.810	-	58	2
26160626__A	HMA 56 T4 1,1kW (A2:6)	1450	2,49	1,10	12.900	-	59	2
26160629__A	HMA 56 T4 1,1kW (A2:9)	1450	2,49	1,10	11.700	-	62	2
26160656__A	HMA 56 T4 1,1kW (A5:6)	1450	2,49	1,10	12.520	-	59	2
26161626__A	HMA 56 T4 1,5kW (A2:6)	1440	3,26	1,50	13.900	-	62	2
26161629__A	HMA 56 T4 1,5kW (A2:9)	1440	3,26	1,50	13.600	-	64	2
26161656__A	HMA 56 T4 1,5kW (A5:6)	1440	3,26	1,50	13.560	-	61	2
26164626__A	HMA 63 T4 0,55kW (A2:6)	1400	1,49	0,55	9.020	-	64	2
26165626__A	HMA 63 T4 0,75kW (A2:6)	1410	1,63	0,75	11.400	-	65	2
26165629__A	HMA 63 T4 0,75kW (A2:9)	1410	1,63	0,75	9.120	-	69	2
26165656__A	HMA 63 T4 0,75kW (A5:6)	1410	1,63	0,75	12.020	-	65	2
26166626__A	HMA 63 T4 1,1kW (A2:6)	1450	2,49	1,10	15.000	-	69	2
26166629__A	HMA 63 T4 1,1kW (A2:9)	1450	2,49	1,10	11.700	-	73	2
26166656__A	HMA 63 T4 1,1kW (A5:6)	1450	2,49	1,10	14.740	-	69	2
26167626__A	HMA 63 T4 1,5kW (A2:6)	1440	3,26	1,50	18.300	-	71	2

Code	Model	R.P.M.	Rated I. (A) 400V	Rated power kW	Max. Airflow m3/h	Sound db (A)*	Weight	Connect. diagram
26167629__A	HMA 63 T4 1,5kW (A2:9)	1440	3,26	1,50	15.700	-	75	2
26167656__A	HMA 63 T4 1,5kW (A5:6)	1440	3,26	1,50	16.610	-	71	2
26168626__A	HMA 63 T4 2,2kW (A2:6)	1435	4,64	2,20	20.100	-	72	2
26168629__A	HMA 63 T4 2,2kW (A2:9)	1435	4,64	2,20	20.300	-	76	2
26168656__A	HMA 63 T4 2,2kW (A5:6)	1435	4,64	2,20	18.630	-	72	2
26169629__A	HMA 63 T4 3kW (A2:9)	1420	6,17	3	21.800	-	77	2
26172626__A	HMA 71 T4 0,75KW (A2:6)	1410	1,63	0,75	12.000	-	77	2
26172656__A	HMA 71 T4 0,75kW (A5:6)	1410	1,63	0,75	13.630	-	78	2
26173626__A	HMA 71 T4 1,1kW (A2:6)	1450	2,49	1,10	15.500	-	80	2
26173629__A	HMA 71 T4 1,1kW (A2:9)	1450	2,49	1,10	12.100	-	82	2
26173656__A	HMA 71 T4 1,1kW (A5:6)	1450	2,49	1,10	16.800	-	80	2
26174626__A	HMA 71 T4 1,5kW (A2:6)	1440	3,26	1,50	20.800	-	82	2
26174629__A	HMA 71 T4 1,5kW (A2:9)	1440	3,26	1,50	15.700	-	84	2
26174656__A	HMA 71 T4 1,5kW (A5:6)	1440	3,26	1,50	19.960	-	82	2
26175626__A	HMA 71 T4 2,2kW (A2:6)	1435	4,64	2,20	25.300	-	87	2
26175629__A	HMA 71 T4 2,2kW (A2:9)	1435	4,64	2,20	21.600	-	88	2
26175656__A	HMA 71 T4 2,2kW (A5:6)	1435	4,64	2,20	23.200	-	87	2
26176626__A	HMA 71 T4 3kW (A2:6)	1420	6,17	3	27.900	-	89	2
26176629__A	HMA 71 T4 3kW (A2:9)	1420	6,17	3	25.300	-	91	2
26176656__A	HMA 71 T4 3kW (A5:6)	1420	6,17	3	25.160	-	89	2
26181626__A	HMA 80 T4 1,1KW (A2:6)	1450	2,49	1,10	15.400	-	80	2
26182626__A	HMA 80 T4 1,5KW (A2:6)	1440	3,26	1,50	20.300	-	84	2
26182629__A	HMA 80 T4 1,5KW (A2:9)	1440	3,26	1,50	16.200	-	85	2
26183626__A	HMA 80 T4 2,2kW (A2:6)	1435	4,64	2,20	27.900	-	93	2
26183629__A	HMA 80 T4 2,2kW (A2:9)	1435	4,64	2,20	21.200	-	96	2
26184626__A	HMA 80 T4 3kW (A2:6)	1420	6,17	3	32.500	-	97	2
26184629__A	HMA 80 T4 3kW (A2:9)	1420	6,17	3	26.400	-	100	2
26184656__A	HMA 80 T4 3kW (A5:6)	1420	6,17	3	31.090	-	97	2
26185626__A	HMA 80 T4 4kW (A2:6)	1440	8,32	4	36.100	-	108	2
26185629__A	HMA 80 T4 4kW (A2:9)	1440	8,32	4	31.900	-	110	2
26185656__A	HMA 80 T4 4kW (A5:6)	1440	8,32	4	34.000	-	108	2
26186626__A	HMA 80 T4 5,5kW (A2:6)	1460	10,5	5,50	39.000	-	110	2
26186629__A	HMA 80 T4 5,5kW (A2:9)	1460	10,5	5,50	38.200	-	113	2
26193663__A	HMA 90 T4 3kW (A6:3)	1420	6,17	3	30.700	-	109	2
26194663__A	HMA 90 T4 4kW (A6:3)	1440	8,32	4	37.700	-	120	2
26195663__A	HMA 90 T4 5,5kW (A6:3)	1460	10,5	5,50	41.400	-	124	2
26195666__A	HMA 90 T4 5,5kW (A6:6)	1460	10,5	5,50	33.400	-	128	2
26196663__A	HMA 90 T4 7,5kW (A6:3)	1455	14,1	7,50	45.700	-	136	2
26196666__A	HMA 90 T4 7,5kW (A6:6)	1455	14,1	7,50	40.800	-	141	2

Code	Model	R.P.M.	Rated I. (A) 400V	Rated power kW	Max. Airflow m3/h	Sound db (A)*	Weight	Connect. diagram
26197663__A	HMA 90 T4 11kW (A6:3)	1455	21,2	11	49.700	-	177	2
26197666__A	HMA 90 T4 11kW (A6:6)	1455	21,2	11	48.700	-	181	2
26198666__A	HMA 90 T4 15kW (A6:6)	1465	29,8	15	56.500	-	201	2
26114663__A	HMA 100 T4 5,5kW (A6:3)	1460	10,5	5,50	48.700	-	138	2
26115663__A	HMA 100 T4 7,5kW (A6:3)	1455	14,1	7,50	55.500	-	152	2
26115666__A	HMA 100 T4 7,5kW (A6:6)	1455	14,1	7,50	44.200	-	155	2
26116663__A	HMA 100 T4 11kW (A6:3)	1455	21,2	11	63.000	-	192	2
26116666__A	HMA 100 T4 11kW (A6:6)	1455	21,2	11	56.200	-	197	2
26117663__A	HMA 100 T4 15kW (A6:3)	1465	29,8	15	67.100	-	218	2
26117666__A	HMA 100 T4 15kW (A6:6)	1465	29,8	15	63.500	-	221	2
26118666__A	HMA 100 T4 18,5kW (A6:6)	1470	35,6	18,50	71.200	-	261	2
26119666__A	HMA 100 T4 22kW (A6:6)	1465	40,1	22	78.300	-	270	2
26123663__A	HMA 112 T4 5,5kW (A6:3)	1460	10,5	5,50	52.700	-	165	2
26124663__A	HMA 112 T4 7,5kW (A6:3)	1455	14,1	7,50	63.400	-	175	2
26125663__A	HMA 112 T4 11kW (A6:3)	1455	21,2	11	72.600	-	212	2
26125666__A	HMA 112 T4 11kW (A6:6)	1455	21,2	11	55.700	-	218	2
26126663__A	HMA 112 T4 15kW (A6:3)	1465	29,8	15	83.600	-	233	2
26126666__A	HMA 112 T4 15kW (A6:6)	1465	29,8	15	72.700	-	238	2
26127663__A	HMA 112 T4 18,5kW (A6:3)	1470	35,6	18,50	87.300	-	270	2
26127666__A	HMA 112 T4 18,5kW (A6:6)	1470	35,6	18,50	77.900	-	275	2
26128663__A	HMA 112 T4 22kW (A6:3)	1465	40,1	22	89.800	-	271	2
26128666__A	HMA 112 T4 22kW (A6:6)	1465	40,1	22	88.400	-	276	2
26129666__A	HMA 112 T4 30kW (A6:6)	1475	56,3	30	104.000	-	322	2
27106674__A	HMA 125 T4 11kW (A7:4)	1455	21,2	11	71.400	-	252	2
27107674__A	HMA 125 T4 15kW (A7:4)	1465	29,8	15	85.800	-	275	2
27107678__A	HMA 125 T4 15kW (A7:8)	1465	29,8	15	66.300	-	280	2
27108674__A	HMA 125 T4 18,5kW (A7:4)	1470	35,6	18,50	99.200	-	320	2
27108678__A	HMA 125 T4 18,5kW (A7:8)	1470	35,6	18,50	73.800	-	323	2
27109674__A	HMA 125 T4 22kW (A7:4)	1465	40,1	22	105.000	-	317	2
27109678__A	HMA 125 T4 22kW (A7:8)	1465	40,1	22	81.800	-	324	2
27110674__A	HMA 125 T4 30kW (A7:4)	1475	56,3	30	117.000	-	368	2
27110678__A	HMA 125 T4 30kW (A7:8)	1475	56,3	30	99.200	-	375	2
27111674__A	HMA 125 T4 37kW (A7:4)	1470	69,2	37	127.000	-	453	2
27112678__A	HMA 125 T4 37kW (A7:8)	1470	69,2	37	114.000	-	500	2
27112678__A	HMA 125 T4 45kW (A7:8)	1475	80,7	45	129.000	-	500	2

Three-phase motor / 6 poles

Code	Model	R.P.M.	Rated I. (A) 400V	Rated power kW	Max. Airflow m3/h	Sound db (A)*	Weight	Connect. diagram
26144606__A	HMA 40 T6 0,12kW (A0:6)	850	0,62	0,12	2.760	-	20	2
26149606__A	HMA 45 T6 0,13kW (A0:6)	920	0,41	0,13	4.710	-	23	2
26152606__A	HMA 50 T6 0,13kW (A0:6)	920	0,41	0,13	6.040	-	27	2
26156656__A	HMA 56 T6 0,25kW (A5:6)	900	0,92	0,25	7.700	-	55	2
26157656__A	HMA 56 T6 0,37kW (A5:6)	900	1,27	0,37	8.770	-	55	2
26154626__A	HMA 56 T6 0,55kW (A2:6)	900	1,8	0,55	9.000	-	55	2
26154629__A	HMA 56 T6 0,55kW (A2:9)	900	1,8	0,55	9.510	-	59	2
26163656__A	HMA 63 T6 0,37kW (A5:6)	900	1,27	0,37	10.760	-	63	2
26162626__A	HMA 63 T6 0,55kW (A2:6)	900	1,8	0,55	13.000	-	65	2
26162629__A	HMA 63 T6 0,55kW (A2:9)	900	1,8	0,55	11.900	-	68	2
26162656__A	HMA 63 T6 0,55kW (A5:6)	900	1,8	0,55	12.050	-	64	2
26165629__A	HMA 63 T6 0,75kW (A2:9)	925	1,95	0,75	14.100	-	69	2
26171626__A	HMA 71 T6 0,55kW (A2:6)	900	1,8	0,55	15.500	-	73	2
26171629__A	HMA 71 T6 0,55kW (A2:9)	900	1,8	0,55	12.700	-	75	2
26172626__A	HMA 71 T6 0,75kW (A2:6)	925	1,95	0,75	18.100	-	73	2
26172629__A	HMA 71 T6 0,75kW (A2:9)	925	1,95	0,75	16.400	-	75	2
26172656__A	HMA 71 T6 0,75kW (A5:6)	925	1,95	0,75	16.250	-	74	2
26173629__A	HMA 71 T6 1,1kW (A2:9)	925	2,78	1,10	19.600	-	78	2
26180626__A	HMA 80 T6 0,75kW (A2:6)	925	1,95	0,75	19.500	-	87	2
26180629__A	HMA 80 T6 0,75kW (A2:9)	925	1,95	0,75	17.100	-	89	2
26180656__A	HMA 80 T6 0,75kW (A5:6)	925	1,95	0,75	18.300	-	87	2
26181626__A	HMA 80 T6 1,1kW (A2:6)	925	2,78	1,10	23.400	-	89	2
26181629__A	HMA 80 T6 1,1kW (A2:9)	925	2,78	1,10	20.700	-	92	2
26181656__A	HMA 80 T6 1,1kW (A5:6)	925	2,78	1,10	20.550	-	89	2
26182626__A	HMA 80 T6 1,5kW (A2:6)	940	3,71	1,50	25.300	-	91	2
26182629__A	HMA 80 T6 1,5kW (A2:9)	940	3,71	1,50	24.800	-	93	2
26182656__A	HMA 80 T6 1,5kW (A5:6)	940	3,71	1,50	22.970	-	90	2
26183629__A	HMA 80 T6 2,2kW (A2:9)	965	5,94	2,20	27.100	-	94	2
26183656__A	HMA 80 T6 2,2kW (A5:6)	965	5,94	2,20	25.190	-	92	2
26191663__A	HMA 90 T6 1,5kW (A6:3)	940	3,71	1,50	26.800	-	100	2
26191666__A	HMA 90 T6 1,5kW (A6:6)	940	3,71	1,50	23.500	-	103	2
26192663__A	HMA 90 T6 2,2kW (A6:3)	965	5,94	2,20	31.100	-	105	2
26192666__A	HMA 90 T6 2,2kW (A6:6)	965	5,94	2,20	28.100	-	108	2
26193663__A	HMA 90 T6 3kW (A6:3)	960	7,3	3	32.200	-	122	2
26193666__A	HMA 90 T6 3kW (A6:6)	960	7,3	3	33.400	-	126	2
26194666__A	HMA 90 T6 4kW (A6:6)	960	9,46	4	36.600	-	132	2
26110663__A	HMA 100 T6 1,5kW (A6:3)	940	3,71	1,50	31.500	-	118	2
26111663__A	HMA 100 T6 2,2kW (A6:3)	965	5,94	2,20	37.900	-	120	2
26111666__A	HMA 100 T6 2,2kW (A6:6)	965	5,94	2,20	31.300	-	126	2

Code	Model	R.P.M.	Rated I. (A) 400V	Rated power kW	Max. Airflow m3/h	Sound db (A)*	Weight	Connect. diagram
26112663__A	HMA 100 T6 3kW (A6:3)	960	7,3	3	40.800	-	137	2
26112666__A	HMA 100 T6 3kW (A6:6)	960	7,3	3	36.400	-	144	2
26113663__A	HMA 100 T6 4kW (A6:3)	960	9,46	4	43.500	-	147	2
26113666__A	HMA 100 T6 4kW (A6:6)	960	9,46	4	41.100	-	150	2
26114666__A	HMA 100 T6 5,5kW (A6:6)	960	12,8	5,50	48.700	-	154	2
26115666__A	HMA 100 T6 7,5kW (A6:6)	965	15,2	7,50	50.700	-	180	2
26120663__A	HMA 112 T6 2,2kW (A6:3)	965	5,94	2,20	41.000	-	149	2
26120666__A	HMA 112 T6 2,2kW (A6:6)	965	5,94	2,20	32.500	-	150	2
26121663__A	HMA 112 T6 3kW (A6:3)	960	7,3	3	49.400	-	165	2
26121666__A	HMA 112 T6 3kW (A6:6)	960	7,3	3	39.800	-	168	2
26122663__A	HMA 112 T6 4kW (A6:3)	960	9,46	4	54.200	-	171	2
26122666__A	HMA 112 T6 4kW (A6:6)	960	9,46	4	47.100	-	178	2
26123663__A	HMA 112 T6 5,5kW (A6:3)	960	12,8	5,50	58.200	-	174	2
26123666__A	HMA 112 T6 5,5kW (A6:6)	960	12,8	5,50	53.900	-	181	2
26124666__A	HMA 112 T6 7,5kW (A6:6)	965	15,2	7,50	64.100	-	233	2
26125666__A	HMA 112 T6 11kW (A6:6)	965	22,6	11	67.300	-	248	2
27102674__A	HMA 125 T6 3kW (A7:4)	960	7,3	3	46.300	-	200	2
27103674__A	HMA 125 T6 4kW (A7:4)	960	9,46	4	55.600	-	210	2
27104674__A	HMA 125 T6 5,5kW (A7:4)	960	12,8	5,50	64.300	-	215	2
27104678__A	HMA 125 T6 5,5kW (A7:8)	960	12,8	5,50	47.800	-	219	2
27105674__A	HMA 125 T6 7,5kW (A7:4)	965	15,2	7,50	75.700	-	268	2
27105678__A	HMA 125 T6 7,5kW (A7:8)	965	15,2	7,50	58.600	-	277	2
27106674__A	HMA 125 T6 11kW (A7:4)	965	22,6	11	82.400	-	285	2
27106678__A	HMA 125 T6 11kW (A7:8)	965	22,6	11	78.900	-	294	2
27107678__A	HMA 125 T6 15kW (A7:8)	970	27,7	15	93.300	-	334	2

2 SPEED MOTOR / 2/4 poles

Code	Model	R.P.M.	Rated I. (A) 400V	Rated power kW	Max. Airflow m3/h	Sound db (A)*	Weight	Connect. diagram
26144694__AV	HMA 45 T2/T4 0,75/0,18kW (A9:4)	2780	2/0,37	0,75	7.860	-	28	3
26143694__AV	HMA 45 T2/T4 1,1/0,25kW (A9:4)	2790	2,5/0,45	1,10	9.160	-	30	3
26143698__AV	HMA 45 T2/T4 1,1/0,25kW (A9:8)	2790	2,5/0,45	1,10	7.850	-	25	3
26146694__AV	HMA 45 T2/T4 1,5/0,37kW (A9:4)	2810	3,6/0,6	1,50	11.000	-	34	3
26146698__AV	HMA 45 T2/T4 1,5/0,37kW (A9:8)	2810	3,6/0,6	1,50	9.460	-	35	3
26148694__AV	HMA 45 T2/T4 2,2/0,55kW (A9:4)	2840	5/9,5	2,20	13.400	-	36	3
26148698__AV	HMA 45 T2/T4 2,2/0,55kW (A9:8)	2840	5/9,5	2,20	11.600	-	37	3
26149694__AV	HMA 45 T2/T4 3/0,75kW (A9:4)	2850	6,4/1,1	3	14.200	-	44	3



Code	Model	R.P.M.	Rated I. (A) 400V	Rated power kW	Max. Airflow m3/h	Sound db (A)*	Weight	Connect. diagram
26149698__AV	HMA 45 T2/T4 3/0,75kW (A9:8)	2850	6,4/1,1	3	13.100	-	45	3
26153694__AV	HMA 50 T2/T4 1,1/0,25kW (A9:4)	2790	2,5/0,45	1,10	9.800	-	34	3
26154698__AV	HMA 50 T2/T4 1,5/0,37kW (A9:8)	2810	3,6/0,6	1,50	10.000	-	33	3
26154694__AV	HMA 50 T2/T4 1,5/0,37kW (A9:4)	2810	3,6/0,6	1,50	11.900	-	38	3
26155694__AV	HMA 50 T2/T4 2,2/0,55kW (A9:4)	2840	5/9,5	2,20	15.800	-	40	3
26155698__AV	HMA 50 T2/T4 2,2/0,55kW (A9:8)	2840	5/9,5	2,20	12.400	-	42	3
26152694__AV	HMA 50 T2/T4 3/0,75kW (A9:4)	2850	6,4/1,1	3	17.600	-	48	3
26152698__AV	HMA 50 T2/T4 3/0,75kW (A9:8)	2850	6,4/1,1	3	15.300	-	43	3
26151694__AV	HMA 50 T2/T4 4,5/0,9kW (A9:4)	2850	9,5/1,4	4,50	18.500	-	53	3
26151698__AV	HMA 50 T2/T4 4,5/0,9kW (A9:8)	2850	9,5/1,4	4,50	17.400	-	55	3
26161694__AV	HMA 56 T2/T4 1,5/0,37kW (A9:4)	2810	3,6/0,6	1,50	12.200	-	61	3
26162694__AV	HMA 56 T2/T4 2,2/0,55kW (A9:4)	2840	5/9,5	2,20	14.700	-	63	3
26162698__AV	HMA 56 T2/T4 2,2/0,55kW (A9:8)	2840	5/9,5	2,20	12.600	-	67	3
26160694__AV	HMA 56 T2/T4 3/0,75kW (A9:4)	2850	6,4/1,1	3	19.900	-	71	3
26160698__AV	HMA 56 T2/T4 3/0,75kW (A9:8)	2850	6,4/1,1	3	15.500	-	75	3
26159694__AV	HMA 56 T2/T4 4,5/0,9kW (A9:4)	2850	9,5/1,4	4,50	22.500	-	76	3
26159698__AV	HMA 56 T2/T4 4,5/0,9kW (A9:8)	2850	9,5/1,4	4,50	19.700	-	71	3
26158695__AV	HMA 56 T2/T4 5,5/1,5kW (A9:5)	2890	22/2	5,50	24.500	-	88	3
26158690__AV	HMA 56 T2/T4 5,5/1,5kW (A9:10)	2890	22/2	5,50	20.700	-	92	3
26157690__AV	HMA 56 T2/T4 8/1,85kW (A9:10)	2940	15,5/2,5	8	23.500	-	100	3
26167694__AV	HMA 63 T2/T4 1,5/0,37kW (A9:4)	2810	3,6/0,6	1,50	14.500	-	66	3
26168694__AV	HMA 63 T2/T4 2,2/0,55kW (A9:4)	2840	5/9,5	2,20	17.900	-	68	3
26169694__AV	HMA 63 T2/T4 3/0,75kW (A9:4)	2850	6,4/1,1	3	22.700	-	75	3
26169698__AV	HMA 63 T2/T4 3/0,75kW (A9:8)	2850	6,4/1,1	3	15.100	-	80	3
26170694__AV	HMA 63 T2/T4 4,5/0,9kW (A9:4)	2850	9,5/1,4	4,50	25.400	-	81	3
26170698__AV	HMA 63 T2/T4 4,5/0,9kW (A9:8)	2850	9,5/1,4	4,50	19.200	-	85	3
26171690__AV	HMA 63 T2/T4 5,5/1,5kW (A9:10)	2890	22/2	5,50	21.200	-	97	3
26166695__AV	HMA 63 T2/T4 8/1,85kW (A9:5)	2940	15,5/2,5	8	28.700	-	101	3
26166690__AV	HMA 63 T2/T4 8/1,85kW (A9:10)	2940	15,5/2,5	8	26.900	-	105	3
26165695__AV	HMA 63 T2/T4 11/2,8kW (A9:5)	2940	24/0,8	11	34.800	-	160	3
26165690__AV	HMA 63 T2/T4 11/3kW (A9:10)	2930	24/0,8	11	31.100	-	165	3
26164690__AV	HMA 63 T2/T4 15/4kW (A9:10)	2950	28/6	15	36.500	-	178	3

2 SPEED MOTOR / 4/6 poles

Code	Model	R.P.M.	Rated I. (A) 400V	Rated power kW	Max. Airflow m3/h	Sound db (A)*	Weight	Connect. diagram
26135606__AV6	HMA 45 T4/T6 0,55/0,18kW (A0:6)	1400	1,71/0,5	0,55	7.260	-	21	4

Code	Model	R.P.M.	Rated I. (A) 400V	Rated power kW	Max. Airflow m3/h	Sound db (A)*	Weight	Connect. diagram
26140606__AV6	HMA 50 T4/T6 0,55/0,18kW (A0:6)	1400	1,71/0,5	0,55	9.320	-	29	4
26147606__AV6	HMA 56 T4/T6 0,37/0,13kW (A5:6)	1400	1,15/0,7	0,37	7.230	-	55	4
26150606__AV6	HMA 56 T4/T6 0,55/0,18kW (A2:6)	1400	1,71/0,5	0,55	8.290	-	57	4
26157656__AV6	HMA 56 T4/T6 0,55/0,18kW (A2:9)	1400	1,71/0,5	0,55	6.590	-	60	4
26158626__AV6	HMA 56 T4/T6 0,55/0,18kW (A5:6)	1400	1,71/0,5	0,55	8.680	-	57	4
26158629__AV6	HMA 56 T4/T6 0,75/0,25kW (A2:6)	1410	1,8/0,8	0,75	10.500	-	58	4
26158656__AV6	HMA 56 T4/T6 0,75/0,25kW (A2:9)	1410	1,8/0,8	0,75	8.170	-	59	4
26159626__AV6	HMA 56 T4/T6 0,75/0,25kW (A5:6)	1410	1,8/0,8	0,75	10.810	-	58	4
26159629__AV6	HMA 56 T4/T6 1,1/0,37kW (A2:6)	1450	2,8/1,2	1,10	12.900	-	59	4
26159656__AV6	HMA 56 T4/T6 1,1/0,37kW (A2:9)	1450	2,8/1,2	1,10	11.700	-	62	4
26160626__AV6	HMA 56 T4/T6 1,1/0,37kW (A5:6)	1450	2,8/1,2	1,10	12.520	-	59	4
26160629__AV6	HMA 56 T4/T6 1,5/0,5kW (A2:6)	1440	4/2,2	1,50	13.900	-	62	4
26160656__AV6	HMA 56 T4/T6 1,5/0,5kW (A2:9)	1440	4/2,2	1,50	13.600	-	64	4
26161626__AV6	HMA 56 T4/T6 1,5/0,5kW (A5:6)	1440	4/2,2	1,50	13.560	-	61	4
26161629__AV6	HMA 63 T4/T6 0,55/0,18kW (A2:6)	1400	1,71/0,5	0,55	9.020	-	64	4
26161656__AV6	HMA 63 T4/T6 0,75/0,25kW (A2:6)	1410	1,8/0,8	0,75	11.400	-	65	4
26164626__AV6	HMA 63 T4/T6 0,75/0,25kW (A2:9)	1410	1,8/0,8	0,75	9.120	-	69	4
26165626__AV6	HMA 63 T4/T6 0,75/0,25kW (A5:6)	1410	1,8/0,8	0,75	12.020	-	65	4
26165629__AV6	HMA 63 T4/T6 1,1/0,37kW (A2:6)	1450	2,8/1,2	1,10	15.000	-	69	4
26165656__AV6	HMA 63 T4/T6 1,1/0,37kW (A2:9)	1450	2,8/1,2	1,10	11.700	-	73	4
26166626__AV6	HMA 63 T4/T6 1,1/0,37kW (A5:6)	1450	2,8/1,2	1,10	14.740	-	69	4
26166629__AV6	HMA 63 T4/T6 1,5/0,5kW (A2:6)	1440	4/2,2	1,50	18.300	-	71	4
26166656__AV6	HMA 63 T4/T6 1,5/0,5kW (A2:9)	1440	4/2,2	1,50	15.700	-	75	4
26167626__AV6	HMA 63 T4/T6 1,5/0,5kW (A5:6)	1440	4/2,2	1,50	16.610	-	71	4
26167629__AV6	HMA 63 T4/T6 2,2/0,6kW (A2:6)	1435	5/1,8	2,20	20.100	-	72	4
26167656__AV6	HMA 63 T4/T6 2,2/0,6kW (A2:9)	1435	5/1,8	2,20	20.300	-	76	4
26168626__AV6	HMA 63 T4/T6 2,2/0,6kW (A5:6)	1435	5/1,8	2,20	18.630	-	72	4
26168629__AV6	HMA 63 T4/T6 3/0,9kW (A2:9)	1420	7/3	3	21.800	-	77	4
26168656__AV6	HMA 71 T4/T6 0,75/0,25kW (A2:6)	1410	1,8/0,8	0,75	12.000	-	77	4
26169629__AV6	HMA 71 T4/T6 0,75/0,25kW (A5:6)	1410	1,8/0,8	0,75	13.630	-	78	4
26172626__AV6	HMA 71 T4/T6 1,1/0,37kW (A2:6)	1450	2,8/1,2	1,10	15.500	-	80	4
26172656__AV6	HMA 71 T4/T6 1,1/0,37kW (A2:9)	1450	2,8/1,2	1,10	12.100	-	82	4
26173626__AV6	HMA 71 T4/T6 1,1/0,37kW (A5:6)	1450	2,8/1,2	1,10	16.800	-	80	4
26173629__AV6	HMA 71 T4/T6 1,5/0,5kW (A2:6)	1440	4/2,2	1,50	20.800	-	82	4
26173656__AV6	HMA 71 T4/T6 1,5/0,5kW (A2:9)	1440	4/2,2	1,50	15.700	-	84	4
26174626__AV6	HMA 71 T4/T6 1,5/0,5kW (A5:6)	1440	4/2,2	1,50	19.960	-	82	4
26174629__AV6	HMA 71 T4/T6 2,2/0,6kW (A2:6)	1435	5/1,8	2,20	25.300	-	87	4
26174656__AV6	HMA 71 T4/T6 2,2/0,6kW (A2:9)	1435	5/1,8	2,20	21.600	-	88	4
26175626__AV6	HMA 71 T4/T6 2,2/0,6kW (A5:6)	1435	5/1,8	2,20	23.200	-	87	4

Code	Model	R.P.M.	Rated I. (A) 400V	Rated power kW	Max. Airflow m3/h	Sound db (A)*	Weight	Connect. diagram
26175629__AV6	HMA 71 T4/T6 3/0,9kW (A2:6)	1420	7/3	3	27.900	-	89	4
26175656__AV6	HMA 71 T4/T6 3/0,9kW (A2:9)	1420	7/3	3	25.300	-	91	4
26176626__AV6	HMA 71 T4/T6 3/0,9kW (A5:6)	1420	7/3	3	25.160	-	89	4
26176629__AV6	HMA 80 T4/T6 1,1/0,37kW (A2:6)	1450	2,8/1,2	1,10	15.400	-	80	4
26176656__AV6	HMA 80 T4/T6 1,5/0,5kW (A2:6)	1440	4/2,2	1,50	20.300	-	84	4
26181626__AV6	HMA 80 T4/T6 1,5/0,5kW (A2:9)	1440	4/2,2	1,50	16.200	-	85	4
26182626__AV6	HMA 80 T4/T6 2,2/0,6kW (A2:6)	1435	5/1,8	2,20	27.900	-	93	4
26182629__AV6	HMA 80 T4/T6 2,2/0,6kW (A2:9)	1435	5/1,8	2,20	21.200	-	96	4
26183626__AV6	HMA 80 T4/T6 3/0,9kW (A2:6)	1420	7/3	3	32.500	-	97	4
26183629__AV6	HMA 80 T4/T6 3/0,9kW (A2:9)	1420	7/3	3	26.400	-	100	4
26184626__AV6	HMA 80 T4/T6 3/0,9kW (A5:6)	1420	7/3	3	31.090	-	97	4
26184629__AV6	HMA 80 T4/T6 4/1,1kW (A2:6)	1440	9/3,3	4	36.100	-	108	4
26184656__AV6	HMA 80 T4/T6 4/1,1kW (A2:9)	1440	9/3,3	4	31.900	-	110	4
26185626__AV6	HMA 80 T4/T6 4/1,1kW (A5:6)	1440	9/3,3	4	34.000	-	108	4
26185629__AV6	HMA 80 T4/T6 5,5/1,85kW (A2:6)	1460	12/4,7	5,50	39.000	-	110	4
26185656__AV6	HMA 80 T4/T6 5,5/1,85kW (A2:9)	1460	12/4,7	5,50	38.200	-	113	4
26197666__AV6	HMA 90 T4/T6 3/0,9kW (A6:3)	1420	7/3	3	30.700	-	109	4
26198666__AV6	HMA 90 T4/T6 4/1,1kW (A6:3)	1440	9/3,3	4	37.700	-	120	4
26193663__AV6	HMA 90 T4/T6 5,5/1,85kW (A6:3)	1460	12/4,7	5,50	41.400	-	124	4
26194663__AV6	HMA 90 T4/T6 5,5/1,85kW (A6:6)	1460	12/4,7	5,50	33.400	-	128	4
26195663__AV6	HMA 90 T4/T6 7,5/2,2kW (A6:3)	1455	15,5/6	7,50	45.700	-	136	4
26195666__AV6	HMA 90 T4/T6 7,5/2,2kW (A6:6)	1455	15,5/6	7,50	40.800	-	141	4
26186626__AV6	HMA 90 T4/T6 11/3,6kW (A6:3)	1455	23/10	11	49.700	-	177	4
26186629__AV6	HMA 90 T4/T6 11/3,6kW (A6:6)	1455	23/10	11	48.700	-	181	4
26197663__AV6	HMA 90 T4/T6 15/4,4kW (A6:6)	1465	28/11	15	56.500	-	201	4
26114663__AV6	HMA 100 T4/T6 5,5/1,85kW (A6:3)	1460	12/4,7	5,50	48.700	-	138	4
26115663__AV6	HMA 100 T4/T6 7,5/2,2kW (A6:3)	1455	15,5/6	7,50	55.500	-	152	4
26115666__AV6	HMA 100 T4/T6 7,5/2,2kW (A6:6)	1455	15,5/6	7,50	44.200	-	155	4
26116663__AV6	HMA 100 T4/T6 11/3,6kW (A6:3)	1455	23/10	11	63.000	-	192	4
26116666__AV6	HMA 100 T4/T6 11/3,6kW (A6:6)	1455	23/10	11	56.200	-	197	4
26117663__AV6	HMA 100 T4/T6 15/4,4kW (A6:3)	1465	28/11	15	67.100	-	218	4
26117666__AV6	HMA 100 T4/T6 15/4,4kW (A6:6)	1465	28/11	15	63.500	-	221	4
26118666__AV6	HMA 100 T4/T6 18,5/6kW (A6:6)	1470	36/14	18,50	71.200	-	261	4
26119666__AV6	HMA 100 T4/T6 22/7,5kW (A6:6)	1465	42/16	22	78.300	-	270	4
26123663__AV6	HMA 112 T4/T6 5,5/1,85kW (A6:3)	1460	12/4,7	5,50	52.700	-	165	4
26124663__AV6	HMA 112 T4/T6 7,5/2,2kW (A6:3)	1455	15,5/6	7,50	63.400	-	175	4
26125663__AV6	HMA 112 T4/T6 11/3,6kW (A6:3)	1455	23/10	11	72.600	-	212	4
26125666__AV6	HMA 112 T4/T6 11/3,6kW (A6:6)	1455	23/10	11	55.700	-	218	4
26126663__AV6	HMA 112 T4/T6 15/4,4kW (A6:3)	1465	28/11	15	83.600	-	233	4

Code	Model	R.P.M.	Rated I. (A) 400V	Rated power kW	Max. Airflow m3/h	Sound db (A)*	Weight	Connect. diagram
26126666__AV6	HMA 112 T4/T6 15/4,4kW (A6:6)	1465	28/11	15	72.700	-	238	4
26127663__AV6	HMA 112 T4/T6 18,5/6kW (A6:3)	1470	36/14	18,50	87.300	-	270	4
26127666__AV6	HMA 112 T4/T6 18,5/6kW (A6:6)	1470	36/14	18,50	77.900	-	275	4
26128663__AV6	HMA 112 T4/T6 22/7,5kW (A6:3)	1465	42/16	22	89.800	-	271	4
26128666__AV6	HMA 112 T4/T6 22/7,5kW (A6:6)	1465	42/16	22	88.400	-	276	4
27106674__AV6	HMA 125 T4/T6 11/3,6kW (A7:4)	1455	23/10	11	71.400	-	252	4
27107674__AV6	HMA 125 T4/T6 15/4,4kW (A7:4)	1465	28/11	15	85.800	-	275	4
27107678__AV6	HMA 125 T4/T6 15/4,4kW (A7:8)	1465	28/11	15	66.300	-	280	4
27108674__AV6	HMA 125 T4/T6 18,5/6kW (A7:4)	1470	36/14	18,50	99.200	-	320	4
27108678__AV6	HMA 125 T4/T6 18,5/6kW (A7:8)	1470	36/14	18,50	73.800	-	323	4
27109674__AV6	HMA 125 T4/T6 22/7,5kW (A7:4)	1465	42/16	22	105.000	-	317	4
27109678__AV6	HMA 125 T4/T6 22/7,5kW (A7:8)	1465	42/16	22	81.800	-	324	4

2 SPEED MOTOR / 4/8 poles

Code	Model	R.P.M.	Rated I. (A) 400V	Rated power kW	Max. Airflow m3/h	Sound db (A)*	Weight	Connect. diagram
26145606__AV	HMA 45 T4/T8 0,33/0,04kW (A0:6)	1360	1,5/0,5	0.33/0.04	6.605	-	21	3
26150606__AV	HMA 50 T4/T8 0,55/0,09kW (A0:6)	1410	2/0,5	0.55/0.09	9.320	-	29	3
26157656__AV	HMA 56 T4/T8 0,33/0,04kW (A5:6)	1360	1,5/0,5	0.33/0.04	7.230	-	56	3
26158626__AV	HMA 56 T4/T8 0,55/0,09kW (A2:6)	1410	2/0,5	0.55/0.09	8.290	-	56	3
26158629__AV	HMA 56 T4/T8 0,55/0,09kW (A2:9)	1410	2/0,5	0.55/0.09	6.590	-	56	3
26158656__AV	HMA 56 T4/T8 0,55/0,09kW (A5:6)	1410	2/0,5	0.55/0.09	8.680	-	57	3
26159626__AV	HMA 56 T4/T8 0,75/0,12kW (A2:6)	1430	1,8/1	0.75/0.12	10.500	-	62	3
26159629__AV	HMA 56 T4/T8 0,75/0,12kW (A2:9)	1430	1,8/1	0.75/0.12	8.170	-	62	3
26159656__AV	HMA 56 T4/T8 0,75/0,12kW (A5:6)	1430	1,8/1	0.75/0.12	10.810	-	58	3
26160626__AV	HMA 56 T4/T8 1,1/0,18kW (A2:6)	1400	3/0,8	1.1/0.18	12.900	-	59	3
26160629__AV	HMA 56 T4/T8 1,1/0,18kW (A2:9)	1400	3/0,8	1.1/0.18	11.700	-	62	3
26160656__AV	HMA 56 T4/T8 1,1/0,18kW (A5:6)	1400	3/0,8	1.1/0.18	12.520	-	59	3
26161626__AV	HMA 56 T4/T8 1,5/0,25kW (A2:6)	1380	4/1,5	1.5/0.25	13.900	-	62	3
26161629__AV	HMA 56 T4/T8 1,5/0,25kW (A2:9)	1380	4/1,5	1.5/0.25	13.600	-	64	3
26161656__AV	HMA 56 T4/T8 1,5/0,25kW (A5:6)	1380	4/1,5	1.5/0.25	13.560	-	61	3
26164626__AV	HMA 63 T4/T8 0,55/0,09kW (A2:6)	1410	2/0,5	0.55/0.09	9.020	-	67	3
26165626__AV	HMA 63 T4/T8 0,75/0,12kW (A2:6)	1430	1,8/1	0.75/0.12	11.400	-	68	3
26165629__AV	HMA 63 T4/T8 0,75/0,12kW (A2:9)	1430	1,8/1	0.75/0.12	9.120	-	69	3
26165656__AV	HMA 63 T4/T8 0,75/0,12kW (A5:6)	1430	1,8/1	0.75/0.12	12.020	-	65	3
26166626__AV	HMA 63 T4/T8 1,1/0,18kW (A2:6)	1400	3/0,8	1.1/0.18	15.000	-	68	3
26166629__AV	HMA 63 T4/T8 1,1/0,18kW (A2:9)	1400	3/0,8	1.1/0.18	13.500	-	70	3

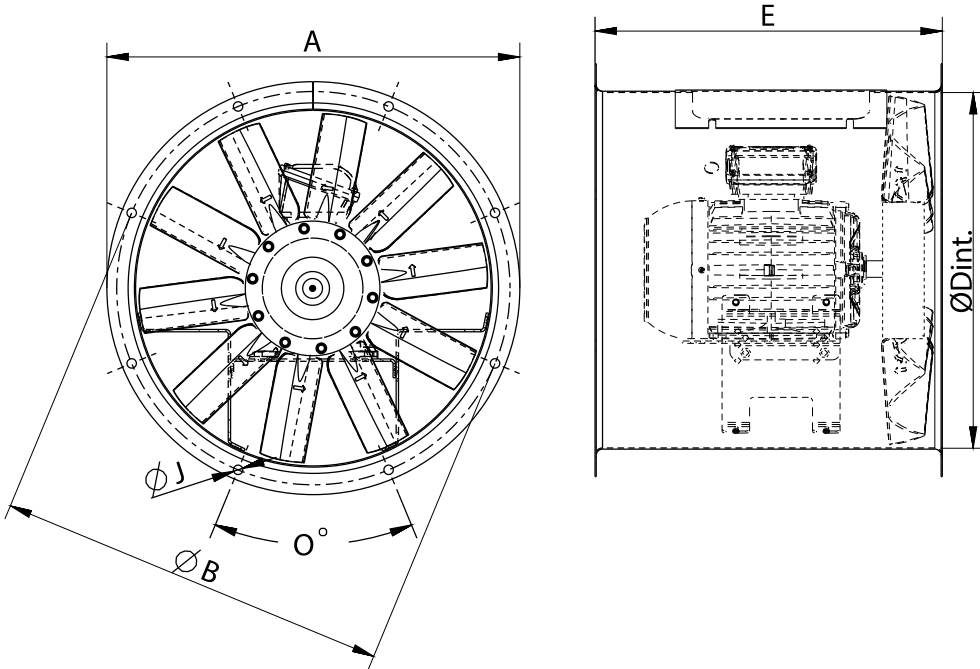
Code	Model	R.P.M.	Rated I. (A) 400V	Rated power kW	Max. Airflow m3/h	Sound db (A)*	Weight	Connect. diagram
26166656__AV	HMA 63 T4/T8 1,1/0,18kW (A5:6)	1400	3/0,8	1.1/0.18	14.740	-	69	3
26167626__AV	HMA 63 T4/T8 1,5/0,25kW (A2:6)	1380	4/1,5	1.5/0.25	18.300	-	66	3
26167629__AV	HMA 63 T4/T8 1,5/0,25kW (A2:9)	1380	4/1,5	1.5/0.25	15.700	-	69	3
26167656__AV	HMA 63 T4/T8 1,5/0,25kW (A5:6)	1380	4/1,5	1.5/0.25	16.610	-	71	3
26168626__AV	HMA 63 T4/T8 2,2/0,37kW (A2:6)	1430	4/1,25	2.2/0.37	20.100	-	67	3
26168629__AV	HMA 63 T4/T8 2,2/0,37kW (A2:9)	1430	4/1,25	2.2/0.37	20.300	-	70	3
26168656__AV	HMA 63 T4/T8 2,2/0,37kW (A5:6)	1430	4/1,25	2.2/0.37	18.630	-	72	3
26169629__AV	HMA 63 T4/T8 3/0,55kW (A2:9)	1420	6,6/18	3/0.55	21.800	-	77	3
26172626__AV	HMA 71 T4/T8 0,75/0,12kW (A2:6)	1430	1,8/1	0.75/0.12	12.000	-	77	3
26172656__AV	HMA 71 T4/T8 0,75/0,12kW (A5:6)	1430	1,8/1	0.75/0.12	13.630	-	78	3
26173626__AV	HMA 71 T4/T8 1,1/0,18kW (A2:6)	1400	3/0,8	1.1/0.18	15.500	-	78	3
26173629__AV	HMA 71 T4/T8 1,1/0,18kW (A2:9)	1400	3/0,8	1.1/0.18	12.100	-	81	3
26173656__AV	HMA 71 T4/T8 1,1/0,18kW (A5:6)	1400	3/0,8	1.1/0.18	16.800	-	80	3
26174626__AV	HMA 71 T4/T8 1,5/0,25kW (A2:6)	1380	4/1,5	1.5/0.25	20.800	-	82	3
26174629__AV	HMA 71 T4/T8 1,5/0,25kW (A2:9)	1380	4/1,5	1.5/0.25	15.700	-	82	3
26174656__AV	HMA 71 T4/T8 1,5/0,25kW (A5:6)	1380	4/1,5	1.5/0.25	19.960	-	82	3
26175626__AV	HMA 71 T4/T8 2,2/0,37kW (A2:6)	1430	4/1,25	2.2/0.37	25.300	-	84	3
26175629__AV	HMA 71 T4/T8 2,2/0,37kW (A2:9)	1430	4/1,25	2.2/0.37	21.600	-	85	3
26175656__AV	HMA 71 T4/T8 2,2/0,37kW (A5:6)	1430	4/1,25	2.2/0.37	23.200	-	87	3
26176626__AV	HMA 71 T4/T8 3/0,55kW (A2:6)	1420	6,6/18	3/0.55	27.900	-	86	3
26176629__AV	HMA 71 T4/T8 3/0,55kW (A2:9)	1420	6,6/18	3/0.55	25.300	-	87	3
26176656__AV	HMA 71 T4/T8 3/0,55kW (A5:6)	1420	6,6/18	3/0.55	25.160	-	89	3
26181626__AV	HMA 80 T4/T8 1,1/0,18kW (A2:6)	1400	3/0,8	1.1/0.18	15.400	-	85	3
26182626__AV	HMA 80 T4/T8 1,5/0,25kW (A2:6)	1380	4/1,5	1.5/0.25	20.300	-	86	3
26182629__AV	HMA 80 T4/T8 1,5/0,25kW (A2:9)	1380	4/1,5	1.5/0.25	16.200	-	86	3
26183626__AV	HMA 80 T4/T8 2,2/0,37kW (A2:6)	1430	4/1,25	2.2/0.37	27.900	-	87	3
26183629__AV	HMA 80 T4/T8 2,2/0,37kW (A2:9)	1430	4/1,25	2.2/0.37	21.200	-	88	3
26184626__AV	HMA 80 T4/T8 3/0,55kW (A2:6)	1420	6,6/18	3/0.55	32.500	-	92	3
26184629__AV	HMA 80 T4/T8 3/0,55kW (A2:9)	1420	6,6/18	3/0.55	26.400	-	93	3
26184656__AV	HMA 80 T4/T8 3/0,55kW (A5:6)	1420	6,6/18	3/0.55	31.090	-	97	3
26185626__AV	HMA 80 T4/T8 4/0,75kW (A2:6)	1440	8,5/21,8	4/0.75	36.100	-	108	3
26185629__AV	HMA 80 T4/T8 4/0,75kW (A2:9)	1440	8,5/21,8	4/0.75	29.100	-	108	3
26185656__AV	HMA 80 T4/T8 4/0,75kW (A5:6)	1440	8,5/21,8	4/0.75	34.000	-	108	3
26186626__AV	HMA 80 T4/T8 5,5/1,1kW (A2:6)	1450	11/27,2	5.5/1.1	39.000	-	110	3
26186629__AV	HMA 80 T4/T8 5,5/1,1kW (A2:9)	1450	11/27,2	5.5/1.1	36.700	-	110	3
26193663__AV	HMA 90 T4/T8 3/0,55kW (A6:3)	1420	6,6/18	3/0.55	30.700	-	105	3
26194663__AV	HMA 90 T4/T8 4/0,75kW (A6:3)	1440	8,5/21,8	4/0.75	37.700	-	110	3
26195663__AV	HMA 90 T4/T8 5,5/1,1kW (A6:3)	1450	11/27,2	5.5/1.1	41.400	-	119	3
26195666__AV	HMA 90 T4/T8 5,5/1,1kW (A6:6)	1450	11/27,2	5.5/1.1	33.400	-	120	3

Code	Model	R.P.M.	Rated I. (A) 400V	Rated power kW	Max. Airflow m3/h	Sound db (A)*	Weight	Connect. diagram
26196663__AV	HMA 90 T4/T8 7,5/1,5kW (A6:3)	1450	15/4	7.5/1.5	45.700	-	136	3
26196666__AV	HMA 90 T4/T8 7,5/1,5kW (A6:6)	1450	15/4	7.5/1.5	40.800	-	141	3
26197663__AV	HMA 90 T4/T8 11/3kW (A6:3)	1460	22/8,5	11/3	49.700	-	181	3
26197666__AV	HMA 90 T4/T8 11/3kW (A6:6)	1460	22/8,5	11/3	48.700	-	184	3
26197666__AV	HMA 90 T4/T8 15/3,5kW (A6:6)	1460	29,5/11,5	15/3.5	56.500	-	191	3
26114663__AV	HMA 100 T4/T8 5,5/1,1kW (A6:3)	1450	11/27,2	5.5/1.1	48.700	-	138	3
26115663__AV	HMA 100 T4/T8 7,5/1,5kW (A6:3)	1450	15/4	7.5/1.5	55.500	-	152	3
26115666__AV	HMA 100 T4/T8 7,5/1,5kW (A6:6)	1450	15/4	7.5/1.5	44.200	-	155	3
26116663__AV	HMA 100 T4/T8 11/3kW (A6:3)	1460	22/8,5	11/3	63.000	-	197	3
26116666__AV	HMA 100 T4/T8 11/3kW (A6:6)	1460	22/8,5	11/3	56.200	-	200	3
26116663__AV	HMA 100 T4/T8 15/3,5kW (A6:3)	1460	29,5/11,5	15/3.5	67.100	-	192	3
26116666__AV	HMA 100 T4/T8 15/3,5kW (A6:6)	1460	29,5/11,5	15/3.5	63.500	-	197	3
26118666__AV	HMA 100 T4/T8 17/4,3kW (A6:6)	1475	33,4/12,7	17/4.3	71.200	-	221	3
26119666__AV	HMA 100 T4/T8 20/5kW (A6:6)	1470	38,6/14,1	20/5	75.200	-	261	3
26123663__AV	HMA 112 T4/T8 5,5/1,1kW (A6:3)	1450	11/27,2	5.5/1.1	52.700	-	165	3
26124663__AV	HMA 112 T4/T8 7,5/1,5kW (A6:3)	1450	15/4	7.5/1.5	63.400	-	175	3
26125663__AV	HMA 112 T4/T8 11/3kW (A6:3)	1460	22/8,5	11/3	72.600	-	199	3
26125666__AV	HMA 112 T4/T8 11/3kW (A6:6)	1460	22/8,5	11/3	55.700	-	204	3
26126663__AV	HMA 112 T4/T8 15/3,5kW (A6:3)	1460	29,5/11,5	15/3.5	83.600	-	213	3
26126666__AV	HMA 112 T4/T8 15/3,5kW (A6:6)	1460	29,5/11,5	15/3.5	72.700	-	218	3
26127663__AV	HMA 112 T4/T8 17/4,3kW (A6:3)	1475	33,4/12,7	17/4.3	87.300	-	233	3
26127666__AV	HMA 112 T4/T8 17/4,3kW (A6:6)	1475	33,4/12,7	17/4.3	77.900	-	238	3
26128663__AV	HMA 112 T4/T8 20/5kW (A6:3)	1470	38,6/14,1	20/5	89.800	-	270	3
26128666__AV	HMA 112 T4/T8 20/5kW (A6:6)	1470	38,6/14,1	20/5	83.100	-	275	3
26129666__AV	HMA 112 T4/T8 28/6,5kW (A6:6)	1480	52/18	28/6.5	98.900	-	276	3
26130666__AV	HMA 112 T4/T8 35/8kW (A6:6)	1470	67,3/21,8	35/8	104.000	-	400	3
27106674__AV	HMA 125 T4/T8 11/3kW (A7:4)	1460	22/8,5	11/3	71.400	-	257	3
27106674__AV	HMA 125 T4/T8 15/3,5kW (A7:4)	1460	29,5/11,5	15/3.5	85.800	-	275	3
27106678__AV	HMA 125 T4/T8 15/3,5kW (A7:8)	1460	29,5/11,5	15/3.5	66.300	-	280	3
27108674__AV	HMA 125 T4/T8 17/4,3kW (A7:4)	1475	33,4/12,7	17/4.3	93.200	-	275	3
27109674__AV	HMA 125 T4/T8 20/5kW (A7:4)	1470	38,6/14,1	20/5	99.200	-	316	3
27109678__AV	HMA 125 T4/T8 20/5kW (A7:8)	1470	38,6/14,1	20/5	73.800	-	323	3
27110674__AV	HMA 125 T4/T8 28/6,5kW (A7:4)	1480	52/18	28/6.5	117.000	-	317	3
27110678__AV	HMA 125 T4/T8 28/6,5kW (A7:8)	1480	52/18	28/6.5	90.500	-	324	3
27111674__AV	HMA 125 T4/T8 35/8kW (A7:4)	1470	67,3/21,8	35/8	127.000	-	453	3
27111678__AV	HMA 125 T4/T8 35/8kW (A7:8)	1470	67,3/21,8	35/8	107.000	-	458	3
27111678__AV	HMA 125 T4/T8 37/9,2kW (A7:8)	1485	74,2/25,4	37/9.2	114.000	-	461	3
27112678__AV	HMA 125 T4/T8 44/11kW (A7:8)	1480	80,2/27,2	44/11	122.000	-	500	3

Notes:

* Total sound pressure level at the point of maximum flow measured in dB(A) in the suction measured in free field at a distance of 6m from the source

Dimensions



Wiring diagram

DIAGRAM Nº 1

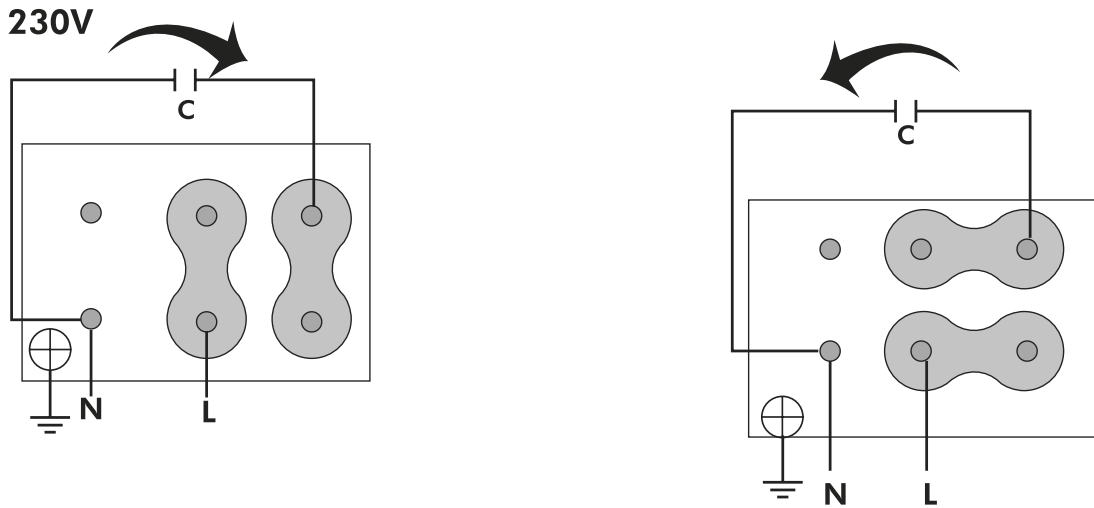


DIAGRAM Nº 2

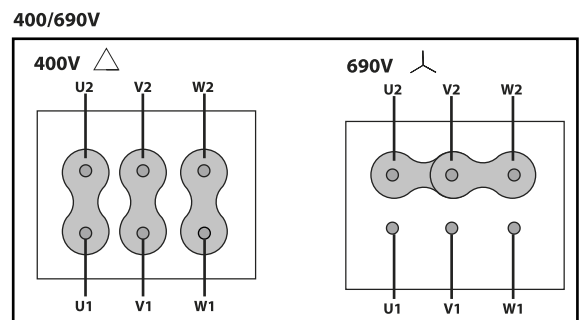
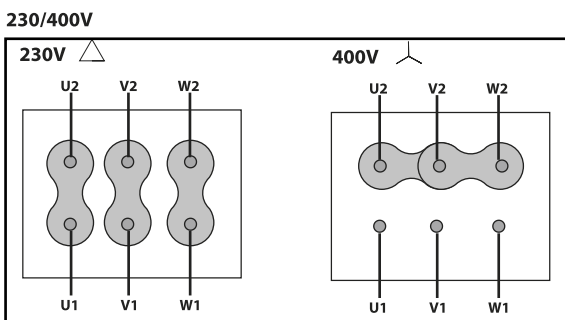


DIAGRAM Nº 3

400V DAHLANDER (Y,YY)

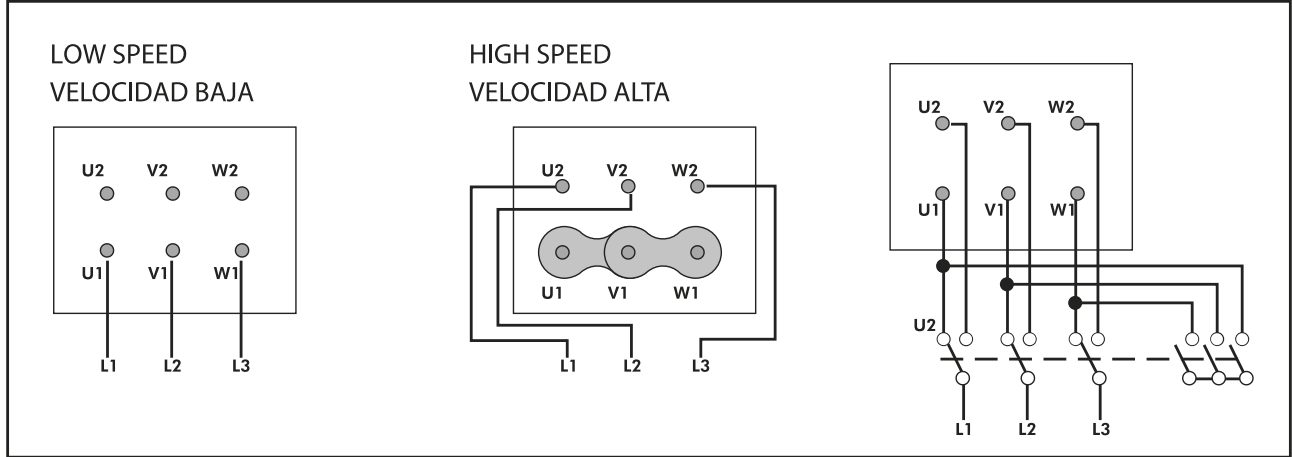
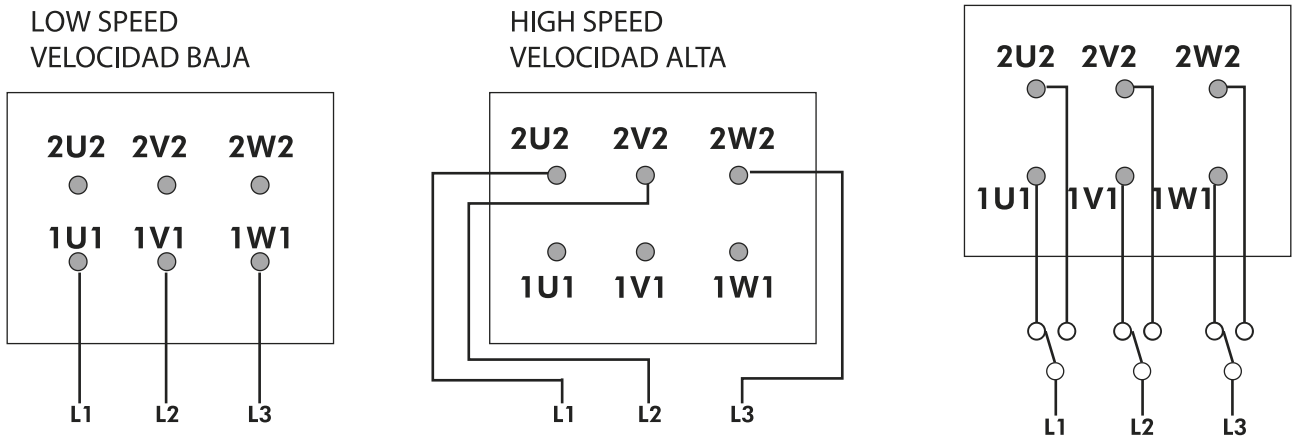


DIAGRAM Nº 4



CHARACTERISCTIC CURVE

HMA 35 M2 0,55kW (A0:6)

HMA 35 M2 1,1kW (A0:6)

AIR FLOW - PRESSURE

No data to display

HMA 35 M4 0,12kW (A0:6)

AIR FLOW - PRESSURE

No data to display

HMA 40 M4 0,25kW (A0:6)

AIR FLOW - PRESSURE

No data to display

HMA 40 M6 0,04kW (A0:6)

AIR FLOW - PRESSURE

No data to display

HMA 45 M4 0,37kW (A0:6)

AIR FLOW - PRESSURE

No data to display

HMA 45 M6 0,13kW (A0:6)

AIR FLOW - PRESSURE

No data to display

HMA 50 M4 0,55kW (A0:6)

AIR FLOW - PRESSURE

No data to display

HMA 50 M6 0,13kW (A0:6)

AIR FLOW - PRESSURE

No data to display

HMA 56 M4 0,37kW (A5:6)

HMA 56 M4 0,55kW (A5:6)

AIR FLOW - PRESSURE

No data to display

HMA 56 M4 0,55kW (A2:6)

AIR FLOW - PRESSURE

No data to display

HMA 56 M6 0,25kW (A5:6)

HMA 56 M6 0,37kW (A5:6)

AIR FLOW - PRESSURE

No data to display

HMA 56 M6 0,25kW (A2:6)

HMA 56 M6 0,37kW (A2:6)

AIR FLOW - PRESSURE

No data to display

HMA 63 M6 0,55kW (A2:9)

AIR FLOW - PRESSURE

No data to display

HMA 63 M6 0,37kW (A5:6)

HMA 63 M6 0,55kW (A5:6)

AIR FLOW - PRESSURE

No data to display

HMA 71 M6 0,55kW (A2:6)

AIR FLOW - PRESSURE

No data to display

HMA 71 M6 0,55kW (A2:9)

AIR FLOW - PRESSURE

No data to display

HMA 35 T2 0,55kW (A0:6)

HMA 35 T2 1,1kW (A0:6)

AIR FLOW - PRESSURE

No data to display

HMA 35 T4 0,12kW (A0:6)

AIR FLOW - PRESSURE

No data to display

HMA 40 T2 1,1kW (A0:6)

AIR FLOW - PRESSURE

No data to display

HMA 40 T4 0,25kW (A0:6)

AIR FLOW - PRESSURE

No data to display

HMA 40 T6 0,12kW (A0:6)

AIR FLOW - PRESSURE

No data to display

HMA 45 T2 0,75kW (A9:4)	HMA 45 T2 1,1kW (A9:4)	HMA 45 T2 1,5kW (A9:4)
HMA 45 T2 2,2kW (A9:4)	HMA 45 T2 3kW (A9:4)	

AIR FLOW - PRESSURE

No data to display

HMA 45 T2 1,5kW (A0:6)

HMA 45 T2 2,2kW (A0:6)

AIR FLOW - PRESSURE

No data to display

HMA 45 T2 1,1kW (A9:8)	HMA 45 T2 1,5kW (A9:8)	HMA 45 T2 2,2kW (A9:8)
HMA 45 T2 3kW (A9:8)		

AIR FLOW - PRESSURE

No data to display

HMA 45 T4 0,55kW (A0:6)

AIR FLOW - PRESSURE

No data to display

HMA 45 T6 0,13kW (A0:6)

AIR FLOW - PRESSURE

No data to display

HMA 45 T2/T4 1,1/0,25kW (A9:8)	HMA 45 T2/T4 1,5/0,37kW (A9:8)	HMA 45 T2/T4 2,2/0,55kW (A9:8)
HMA 45 T2/T4 3/0,75kW (A9:8)		

AIR FLOW - PRESSURE (2 poles)

No data to display

HMA 45 T2/T4 1,1/0,25kW (A9:8)

HMA 45 T2/T4 1,5/0,37kW (A9:8)

HMA 45 T2/T4 2,2/0,55kW (A9:8)

HMA 45 T2/T4 3/0,75kW (A9:8)

AIR FLOW - PRESSURE (4 poles)

No data to display

HMA 45 T2/T4 0,75/0,18kW (A9:4)	HMA 45 T2/T4 1,1/0,25kW (A9:4)	HMA 45 T2/T4 1,5/0,37kW (A9:4)
HMA 45 T2/T4 2,2/0,55kW (A9:4)	HMA 45 T2/T4 3/0,75kW (A9:4)	

AIR FLOW - PRESSURE (2 poles)

No data to display

HMA 45 T2/T4 0,75/0,18kW (A9:4)	HMA 45 T2/T4 1,1/0,25kW (A9:4)	HMA 45 T2/T4 1,5/0,37kW (A9:4)
HMA 45 T2/T4 2,2/0,55kW (A9:4)	HMA 45 T2/T4 3/0,75kW (A9:4)	

AIR FLOW - PRESSURE (4 poles)

No data to display

HMA 45 T4/T6 0,55/0,18kW (A0:6)

AIR FLOW - PRESSURE (4 poles)

No data to display

HMA 45 T4/T6 0,55/0,18kW (A0:6)

AIR FLOW - PRESSURE (6 poles)

No data to display

HMA 45 T4/T8 0,33/0,04kW (A0:6)

AIR FLOW - PRESSURE (4 poles)

No data to display

HMA 45 T4/T8 0,33/0,04kW (A0:6)

AIR FLOW - PRESSURE (8 poles)

No data to display

HMA 50 T2 1,5kW (A9:8)	HMA 50 T2 2,2kW (A9:8)	HMA 50 T2 3kW (A9:8)
HMA 50 T2 4kW (A9:8)		

AIR FLOW - PRESSURE

No data to display

HMA 50 T2 1,1kW (A9:4)	HMA 50 T2 1,5kW (A9:4)	HMA 50 T2 2,2kW (A9:4)
HMA 50 T2 3kW (A9:4)	HMA 50 T2 4kW (A9:4)	

AIR FLOW - PRESSURE

No data to display

HMA 50 T4 0,55kW (A0:6)

AIR FLOW - PRESSURE

No data to display

HMA 50 T6 0,13kW (A0:6)

AIR FLOW - PRESSURE

No data to display

HMA 50 T2/T4 1,5/0,37KW (A9:8)	HMA 50 T2/T4 2,2/0,55kW (A9:8)	HMA 50 T2/T4 3/0,75kW (A9:8)
HMA 50 T2/T4 4,5/0,9kW (A9:8)		

AIR FLOW - PRESSURE (2 poles)

No data to display

HMA 50 T2/T4 1,5/0,37KW (A9:8)	HMA 50 T2/T4 2,2/0,55kW (A9:8)	HMA 50 T2/T4 3/0,75kW (A9:8)
HMA 50 T2/T4 4,5/0,9kW (A9:8)		

AIR FLOW - PRESSURE (4 poles)

No data to display

HMA 50 T2/T4 1,1/0,25kW (A9:4)	HMA 50 T2/T4 1,5/0,37kW (A9:4)	HMA 50 T2/T4 2,2/0,55kW (A9:4)
HMA 50 T2/T4 3/0,75kW (A9:4)	HMA 50 T2/T4 4,5/0,9kW (A9:4)	

AIR FLOW - PRESSURE (2 poles)

No data to display

HMA 50 T2/T4 1,1/0,25kW (A9:4)	HMA 50 T2/T4 1,5/0,37kW (A9:4)	HMA 50 T2/T4 2,2/0,55kW (A9:4)
HMA 50 T2/T4 3/0,75kW (A9:4)	HMA 50 T2/T4 4,5/0,9kW (A9:4)	

AIR FLOW - PRESSURE (4 poles)

No data to display

HMA 50 T4/T6 0,55/0,18kW (A0:6)

AIR FLOW - PRESSURE (4 poles)

No data to display

HMA 50 T4/T6 0,55/0,18kW (A0:6)

AIR FLOW - PRESSURE (6 poles)

No data to display

HMA 50 T4/T8 0,55/0,09kW (A0:6)

AIR FLOW - PRESSURE (4 poles)

No data to display

HMA 50 T4/T8 0,55/0,09kW (A0:6)

AIR FLOW - PRESSURE (8 poles)

No data to display

HMA 56 T2 2,2kW (A9:8)

HMA 56 T2 3kW (A9:8)

HMA 56 T2 4kW (A9:8)

AIR FLOW - PRESSURE

No data to display

HMA 56 T2 1,5kW (A9:4)	HMA 56 T2 2,2kW (A9:4)	HMA 56 T2 3kW (A9:4)
HMA 56 T2 4kW (A9:4)		

AIR FLOW - PRESSURE

No data to display

HMA 56 T2 5,5kW (A9:10)

HMA 56 T2 7,5kW (A9:10)

AIR FLOW - PRESSURE

No data to display

HMA 56 T2 5,5kW (A9:5)

AIR FLOW - PRESSURE

No data to display

HMA 56 T4 0,55kW (A2:9)	HMA 56 T4 0,75kW (A2:9)	HMA 56 T4 1,1kW (A2:9)
HMA 56 T4 1,5kW (A2:9)		

AIR FLOW - PRESSURE

No data to display

HMA 56 T4 0,37kW (A5:6)	HMA 56 T4 0,55kW (A5:6)	HMA 56 T4 0,75kW (A5:6)
HMA 56 T4 1,1kW (A5:6)	HMA 56 T4 1,5kW (A5:6)	

AIR FLOW - PRESSURE

No data to display

HMA 56 T4 0,55kW (A2:6)	HMA 56 T4 0,75kW (A2:6)	HMA 56 T4 1,1kW (A2:6)
HMA 56 T4 1,5kW (A2:6)		

AIR FLOW - PRESSURE

No data to display

HMA 56 T6 0,25kW (A5:6)

HMA 56 T6 0,37kW (A5:6)

AIR FLOW - PRESSURE

No data to display

HMA 56 T6 0,55kW (A2:9)

AIR FLOW - PRESSURE

No data to display

HMA 56 T6 0,55kW (A2:6)

AIR FLOW - PRESSURE

No data to display

HMA 56 T2/T4 5,5/1,5kW (A9:10)

HMA 56 T2/T4 8/1,85kW (A9:10)

AIR FLOW - PRESSURE (2 poles)

No data to display

HMA 56 T2/T4 5,5/1,5kW (A9:10)

HMA 56 T2/T4 8/1,85kW (A9:10)

AIR FLOW - PRESSURE (4 poles)

No data to display

HMA 56 T2/T4 5,5/1,5kW (A9:5)

AIR FLOW - PRESSURE (2 poles)

No data to display

HMA 56 T2/T4 5,5/1,5kW (A9:5)

AIR FLOW - PRESSURE (4 poles)

No data to display

HMA 56 T2/T4 1,5/0,37kW (A9:4)	HMA 56 T2/T4 2,2/0,55kW (A9:4)	HMA 56 T2/T4 3/0,75kW (A9:4)
HMA 56 T2/T4 4,5/0,9kW (A9:4)		

AIR FLOW - PRESSURE (2 poles)

No data to display

HMA 56 T2/T4 1,5/0,37kW (A9:4)	HMA 56 T2/T4 2,2/0,55kW (A9:4)	HMA 56 T2/T4 3/0,75kW (A9:4)
HMA 56 T2/T4 4,5/0,9kW (A9:4)		

AIR FLOW - PRESSURE (4 poles)

No data to display

HMA 56 T2/T4 2,2/0,55kW (A9:8)

HMA 56 T2/T4 3/0,75kW (A9:8)

HMA 56 T2/T4 4,5/0,9kW (A9:8)

AIR FLOW - PRESSURE (2 poles)

No data to display

HMA 56 T2/T4 2,2/0,55kW (A9:8)

HMA 56 T2/T4 3/0,75kW (A9:8)

HMA 56 T2/T4 4,5/0,9kW (A9:8)

AIR FLOW - PRESSURE (4 poles)

No data to display

HMA 56 T4/T6 0,55/0,18kW (A2:9)	HMA 56 T4/T6 0,75/0,25kW (A2:9)	HMA 56 T4/T6 1,1/0,37kW (A2:9)
HMA 56 T4/T6 1,5/0,5kW (A2:9)		

AIR FLOW - PRESSURE (4 poles)

No data to display

HMA 56 T4/T6 0,55/0,18kW (A2:9)	HMA 56 T4/T6 0,75/0,25kW (A2:9)	HMA 56 T4/T6 1,1/0,37kW (A2:9)
HMA 56 T4/T6 1,5/0,5kW (A2:9)		

AIR FLOW - PRESSURE (6 poles)

No data to display

HMA 56 T4/T6 0,55/0,18kW (A2:6)	HMA 56 T4/T6 0,75/0,25kW (A2:6)	HMA 56 T4/T6 1,1/0,37kW (A2:6)
HMA 56 T4/T6 1,5/0,5kW (A2:6)		

AIR FLOW - PRESSURE (4 poles)

No data to display

HMA 56 T4/T6 0,55/0,18kW (A2:6)	HMA 56 T4/T6 0,75/0,25kW (A2:6)	HMA 56 T4/T6 1,1/0,37kW (A2:6)
HMA 56 T4/T6 1,5/0,5kW (A2:6)		

AIR FLOW - PRESSURE (6 poles)

No data to display

HMA 56 T4/T6 0,37/0,13kW (A5:6)	HMA 56 T4/T6 0,55/0,18kW (A5:6)	HMA 56 T4/T6 0,75/0,25kW (A5:6)
HMA 56 T4/T6 1,1/0,37kW (A5:6)	HMA 56 T4/T6 1,5/0,5kW (A5:6)	

AIR FLOW - PRESSURE (4 poles)

No data to display

HMA 56 T4/T6 0,37/0,13kW (A5:6)	HMA 56 T4/T6 0,55/0,18kW (A5:6)	HMA 56 T4/T6 0,75/0,25kW (A5:6)
HMA 56 T4/T6 1,1/0,37kW (A5:6)	HMA 56 T4/T6 1,5/0,5kW (A5:6)	

AIR FLOW - PRESSURE (6 poles)

No data to display

HMA 56 T4/T8 0,55/0,09kW (A2:6)	HMA 56 T4/T8 0,75/0,12kW (A2:6)	HMA 56 T4/T8 1,1/0,18kW (A2:6)
HMA 56 T4/T8 1,5/0,25kW (A2:6)		

AIR FLOW - PRESSURE (4 poles)

No data to display

HMA 56 T4/T8 0,55/0,09kW (A2:6)	HMA 56 T4/T8 0,75/0,12kW (A2:6)	HMA 56 T4/T8 1,1/0,18kW (A2:6)
HMA 56 T4/T8 1,5/0,25kW (A2:6)		

AIR FLOW - PRESSURE (8 poles)

No data to display

HMA 56 T4/T8 0,55/0,09kW (A2:9)	HMA 56 T4/T8 0,75/0,12kW (A2:9)	HMA 56 T4/T8 1,1/0,18kW (A2:9)
HMA 56 T4/T8 1,5/0,25kW (A2:9)		

AIR FLOW - PRESSURE (4 poles)

No data to display

HMA 56 T4/T8 0,55/0,09kW (A2:9)	HMA 56 T4/T8 0,75/0,12kW (A2:9)	HMA 56 T4/T8 1,1/0,18kW (A2:9)
HMA 56 T4/T8 1,5/0,25kW (A2:9)		

AIR FLOW - PRESSURE (8 poles)

No data to display

HMA 56 T4/T8 0,33/0,04kW (A5:6)	HMA 56 T4/T8 0,55/0,09kW (A5:6)	HMA 56 T4/T8 0,75/0,12kW (A5:6)
HMA 56 T4/T8 1,1/0,18kW (A5:6)	HMA 56 T4/T8 1,5/0,25kW (A5:6)	

AIR FLOW - PRESSURE (4 poles)

No data to display

HMA 56 T4/T8 0,33/0,04kW (A5:6)	HMA 56 T4/T8 0,55/0,09kW (A5:6)	HMA 56 T4/T8 0,75/0,12kW (A5:6)
HMA 56 T4/T8 1,1/0,18kW (A5:6)	HMA 56 T4/T8 1,5/0,25kW (A5:6)	

AIR FLOW - PRESSURE (8 poles)

No data to display

HMA 63 T2 5,5kW (A9:10)	HMA 63 T2 7,5kW (A9:10)	HMA 63 T2 11kW (A9:10)
HMA 63 T2 15kW (A9:10)		

AIR FLOW - PRESSURE

No data to display

HMA 63 T2 7,5kW (A9:5)

HMA 63 T2 11kW (A9:5)

AIR FLOW - PRESSURE

No data to display

HMA 63 T2 3kW (A9:8)

HMA 63 T2 4kW (A9:8)

AIR FLOW - PRESSURE

No data to display

HMA 63 T2 1,5kW (A9:4)	HMA 63 T2 2,2kW (A9:4)	HMA 63 T2 3kW (A9:4)
HMA 63 T2 4kW (A9:4)		

AIR FLOW - PRESSURE

No data to display

HMA 63 T4 0,75kW (A5:6)	HMA 63 T4 1,1kW (A5:6)	HMA 63 T4 1,5kW (A5:6)
HMA 63 T4 2,2kW (A5:6)		

AIR FLOW - PRESSURE

No data to display

HMA 63 T4 0,75kW (A2:9)	HMA 63 T4 1,1kW (A2:9)	HMA 63 T4 1,5kW (A2:9)
HMA 63 T4 2,2kW (A2:9)	HMA 63 T4 3kW (A2:9)	

AIR FLOW - PRESSURE

No data to display

HMA 63 T4 0,55KW (A2:6)	HMA 63 T4 0,75kW (A2:6)	HMA 63 T4 1,1kW (A2:6)
HMA 63 T4 1,5kW (A2:6)	HMA 63 T4 2,2kW (A2:6)	

AIR FLOW - PRESSURE

No data to display

HMA 63 T6 0,55kW (A2:9)

HMA 63 T6 0,75kW (A2:9)

AIR FLOW - PRESSURE

No data to display

HMA 63 T6 0,55KW (A2:6)

AIR FLOW - PRESSURE

No data to display

HMA 63 T6 0,37kW (A5:6)

HMA 63 T6 0,55kW (A5:6)

AIR FLOW - PRESSURE

No data to display

HMA 63 T2/T4 8/1,85kW (A9:5)

HMA 63 T2/T4 11/2,8kW (A9:5)

AIR FLOW - PRESSURE (2 poles)

No data to display

HMA 63 T2/T4 8/1,85kW (A9:5)

HMA 63 T2/T4 11/2,8kW (A9:5)

AIR FLOW - PRESSURE (4 poles)

No data to display

HMA 63 T2/T4 5,5/1,5kW (A9:10)	HMA 63 T2/T4 8/1,85kW (A9:10)	HMA 63 T2/T4 11/3kW (A9:10)
HMA 63 T2/T4 15/4kW (A9:10)		

AIR FLOW - PRESSURE (2 poles)

No data to display

HMA 63 T2/T4 5,5/1,5kW (A9:10)	HMA 63 T2/T4 8/1,85kW (A9:10)	HMA 63 T2/T4 11/3kW (A9:10)
HMA 63 T2/T4 15/4kW (A9:10)		

AIR FLOW - PRESSURE (4 poles)

No data to display

HMA 63 T2/T4 1,5/0,37kW (A9:4)	HMA 63 T2/T4 2,2/0,55kW (A9:4)	HMA 63 T2/T4 3/0,75kW (A9:4)
HMA 63 T2/T4 4,5/0,9kW (A9:4)		

AIR FLOW - PRESSURE (2 poles)

No data to display

HMA 63 T2/T4 1,5/0,37kW (A9:4)	HMA 63 T2/T4 2,2/0,55kW (A9:4)	HMA 63 T2/T4 3/0,75kW (A9:4)
HMA 63 T2/T4 4,5/0,9kW (A9:4)		

AIR FLOW - PRESSURE (4 poles)

No data to display

HMA 63 T2/T4 3/0,75kW (A9:8)

HMA 63 T2/T4 4,5/0,9kW (A9:8)

AIR FLOW - PRESSURE (2 poles)

No data to display

HMA 63 T2/T4 3/0,75kW (A9:8)

HMA 63 T2/T4 4,5/0,9kW (A9:8)

AIR FLOW - PRESSURE (4 poles)

No data to display

HMA 63 T4/T6 0,75/0,25kW (A2:9)	HMA 63 T4/T6 1,1/0,37kW (A2:9)	HMA 63 T4/T6 1,5/0,5kW (A2:9)
HMA 63 T4/T6 2,2/0,6kW (A2:9)	HMA 63 T4/T6 3/0,9kW (A2:9)	

AIR FLOW - PRESSURE (4 poles)

No data to display

HMA 63 T4/T6 0,75/0,25kW (A2:9)	HMA 63 T4/T6 1,1/0,37kW (A2:9)	HMA 63 T4/T6 1,5/0,5kW (A2:9)
HMA 63 T4/T6 2,2/0,6kW (A2:9)	HMA 63 T4/T6 3/0,9kW (A2:9)	

AIR FLOW - PRESSURE (6 poles)

No data to display

HMA 63 T4/T6 0,75/0,25kW (A5:6)	HMA 63 T4/T6 1,1/0,37kW (A5:6)	HMA 63 T4/T6 1,5/0,5kW (A5:6)
HMA 63 T4/T6 2,2/0,6kW (A5:6)		

AIR FLOW - PRESSURE (4 poles)

No data to display

HMA 63 T4/T6 0,75/0,25kW (A5:6)	HMA 63 T4/T6 1,1/0,37kW (A5:6)	HMA 63 T4/T6 1,5/0,5kW (A5:6)
HMA 63 T4/T6 2,2/0,6kW (A5:6)		

AIR FLOW - PRESSURE (6 poles)

No data to display

HMA 63 T4/T6 0,55/0,18kW (A2:6)	HMA 63 T4/T6 0,75/0,25kW (A2:6)	HMA 63 T4/T6 1,1/0,37kW (A2:6)
HMA 63 T4/T6 1,5/0,5kW (A2:6)	HMA 63 T4/T6 2,2/0,6kW (A2:6)	

AIR FLOW - PRESSURE (4 poles)

No data to display

HMA 63 T4/T6 0,55/0,18kW (A2:6)	HMA 63 T4/T6 0,75/0,25kW (A2:6)	HMA 63 T4/T6 1,1/0,37kW (A2:6)
HMA 63 T4/T6 1,5/0,5kW (A2:6)	HMA 63 T4/T6 2,2/0,6kW (A2:6)	

AIR FLOW - PRESSURE (6 poles)

No data to display

HMA 63 T4/T8 0,75/0,12kW (A5:6)	HMA 63 T4/T8 1,1/0,18kW (A5:6)	HMA 63 T4/T8 1,5/0,25kW (A5:6)
HMA 63 T4/T8 2,2/0,37kW (A5:6)		

AIR FLOW - PRESSURE (4 poles)

No data to display

HMA 63 T4/T8 0,75/0,12kW (A5:6)	HMA 63 T4/T8 1,1/0,18kW (A5:6)	HMA 63 T4/T8 1,5/0,25kW (A5:6)
HMA 63 T4/T8 2,2/0,37kW (A5:6)		

AIR FLOW - PRESSURE (8 poles)

No data to display

HMA 63 T4/T8 0,75/0,12kW (A2:9)	HMA 63 T4/T8 1,1/0,18kW (A2:9)	HMA 63 T4/T8 1,5/0,25kW (A2:9)
HMA 63 T4/T8 2,2/0,37kW (A2:9)	HMA 63 T4/T8 3/0,55kW (A2:9)	

AIR FLOW - PRESSURE (4 poles)

No data to display

HMA 63 T4/T8 0,75/0,12kW (A2:9)	HMA 63 T4/T8 1,1/0,18kW (A2:9)	HMA 63 T4/T8 1,5/0,25kW (A2:9)
HMA 63 T4/T8 2,2/0,37kW (A2:9)	HMA 63 T4/T8 3/0,55kW (A2:9)	

AIR FLOW - PRESSURE (8 poles)

No data to display

HMA 63 T4/T8 0,55/0,09kW (A2:6)	HMA 63 T4/T8 0,75/0,12kW (A2:6)	HMA 63 T4/T8 1,1/0,18kW (A2:6)
HMA 63 T4/T8 1,5/0,25kW (A2:6)	HMA 63 T4/T8 2,2/0,37kW (A2:6)	

AIR FLOW - PRESSURE (4 poles)

No data to display

HMA 63 T4/T8 0,55/0,09kW (A2:6)	HMA 63 T4/T8 0,75/0,12kW (A2:6)	HMA 63 T4/T8 1,1/0,18kW (A2:6)
HMA 63 T4/T8 1,5/0,25kW (A2:6)	HMA 63 T4/T8 2,2/0,37kW (A2:6)	

AIR FLOW - PRESSURE (8 poles)

No data to display

- HMA 71 T4 1,1kW (A2:9)
- HMA 71 T4 1,5kW (A2:9)
- HMA 71 T4 2,2kW (A2:9)
- HMA 71 T4 3kW (A2:9)

AIR FLOW - PRESSURE

No data to display

HMA 71 T4 0,75kW (A5:6)	HMA 71 T4 1,1kW (A5:6)	HMA 71 T4 1,5kW (A5:6)
HMA 71 T4 2,2kW (A5:6)	HMA 71 T4 3kW (A5:6)	

AIR FLOW - PRESSURE

No data to display

HMA 71 T4 0,75KW (A2:6)	HMA 71 T4 1,1kW (A2:6)	HMA 71 T4 1,5kW (A2:6)
HMA 71 T4 2,2kW (A2:6)	HMA 71 T4 3kW (A2:6)	

AIR FLOW - PRESSURE

No data to display

HMA 71 T6 0,55kW (A2:6)

HMA 71 T6 0,75kW (A2:6)

AIR FLOW - PRESSURE

No data to display

HMA 71 T6 0,75kW (A5:6)

AIR FLOW - PRESSURE

No data to display

HMA 71 T6 0,55kW (A2:9)

HMA 71 T6 0,75kW (A2:9)

HMA 71 T6 1,1kW (A2:9)

AIR FLOW - PRESSURE

No data to display

HMA 71 T4/T6 1,1/0,37kW (A2:9)	HMA 71 T4/T6 1,5/0,5kW (A2:9)	HMA 71 T4/T6 2,2/0,6kW (A2:9)
HMA 71 T4/T6 3/0,9kW (A2:9)		

AIR FLOW - PRESSURE (4 poles)

No data to display

HMA 71 T4/T6 1,1/0,37kW (A2:9)	HMA 71 T4/T6 1,5/0,5kW (A2:9)	HMA 71 T4/T6 2,2/0,6kW (A2:9)
HMA 71 T4/T6 3/0,9kW (A2:9)		

AIR FLOW - PRESSURE (6 poles)

No data to display

HMA 71 T4/T6 0,75/0,25kW (A2:6)	HMA 71 T4/T6 1,1/0,37kW (A2:6)	HMA 71 T4/T6 1,5/0,5kW (A2:6)
HMA 71 T4/T6 2,2/0,6kW (A2:6)	HMA 71 T4/T6 3/0,9kW (A2:6)	

AIR FLOW - PRESSURE (4 poles)

No data to display

HMA 71 T4/T6 0,75/0,25kW (A2:6)	HMA 71 T4/T6 1,1/0,37kW (A2:6)	HMA 71 T4/T6 1,5/0,5kW (A2:6)
HMA 71 T4/T6 2,2/0,6kW (A2:6)	HMA 71 T4/T6 3/0,9kW (A2:6)	

AIR FLOW - PRESSURE (6 poles)

No data to display

HMA 71 T4/T6 0,75/0,25kW (A5:6)	HMA 71 T4/T6 1,1/0,37kW (A5:6)	HMA 71 T4/T6 1,5/0,5kW (A5:6)
HMA 71 T4/T6 2,2/0,6kW (A5:6)	HMA 71 T4/T6 3/0,9kW (A5:6)	

AIR FLOW - PRESSURE (4 poles)

No data to display

HMA 71 T4/T6 0,75/0,25kW (A5:6)	HMA 71 T4/T6 1,1/0,37kW (A5:6)	HMA 71 T4/T6 1,5/0,5kW (A5:6)
HMA 71 T4/T6 2,2/0,6kW (A5:6)	HMA 71 T4/T6 3/0,9kW (A5:6)	

AIR FLOW - PRESSURE (6 poles)

No data to display

HMA 71 T4/T8 1,1/0,18kW (A2:9)	HMA 71 T4/T8 1,5/0,25kW (A2:9)	HMA 71 T4/T8 2,2/0,37kW (A2:9)
HMA 71 T4/T8 3/0,55kW (A2:9)		

AIR FLOW - PRESSURE (4 poles)

No data to display

HMA 71 T4/T8 1,1/0,18kW (A2:9)	HMA 71 T4/T8 1,5/0,25kW (A2:9)	HMA 71 T4/T8 2,2/0,37kW (A2:9)
HMA 71 T4/T8 3/0,55kW (A2:9)		

AIR FLOW - PRESSURE (8 poles)

No data to display

HMA 71 T4/T8 0,75/0,12kW (A2:6)	HMA 71 T4/T8 1,1/0,18kW (A2:6)	HMA 71 T4/T8 1,5/0,25kW (A2:6)
HMA 71 T4/T8 2,2/0,37kW (A2:6)	HMA 71 T4/T8 3/0,55kW (A2:6)	

AIR FLOW - PRESSURE (4 poles)

No data to display

HMA 71 T4/T8 0,75/0,12kW (A2:6)	HMA 71 T4/T8 1,1/0,18kW (A2:6)	HMA 71 T4/T8 1,5/0,25kW (A2:6)
HMA 71 T4/T8 2,2/0,37kW (A2:6)	HMA 71 T4/T8 3/0,55kW (A2:6)	

AIR FLOW - PRESSURE (8 poles)

No data to display

HMA 71 T4/T8 0,75/0,12kW (A5:6)	HMA 71 T4/T8 1,1/0,18kW (A5:6)	HMA 71 T4/T8 1,5/0,25kW (A5:6)
HMA 71 T4/T8 2,2/0,37kW (A5:6)	HMA 71 T4/T8 3/0,55kW (A5:6)	

AIR FLOW - PRESSURE (4 poles)

No data to display

HMA 71 T4/T8 0,75/0,12kW (A5:6)	HMA 71 T4/T8 1,1/0,18kW (A5:6)	HMA 71 T4/T8 1,5/0,25kW (A5:6)
HMA 71 T4/T8 2,2/0,37kW (A5:6)	HMA 71 T4/T8 3/0,55kW (A5:6)	

AIR FLOW - PRESSURE (8 poles)

No data to display

HMA 80 T4 3kW (A5:6)

HMA 80 T4 4kW (A5:6)

AIR FLOW - PRESSURE

No data to display

HMA 80 T4 1,5KW (A2:9)	HMA 80 T4 2,2kW (A2:9)	HMA 80 T4 3kW (A2:9)
HMA 80 T4 4kW (A2:9)	HMA 80 T4 5,5kW (A2:9)	

AIR FLOW - PRESSURE

No data to display

HMA 80 T4 1,1KW (A2:6)	HMA 80 T4 1,5KW (A2:6)	HMA 80 T4 2,2kW (A2:6)
HMA 80 T4 3kW (A2:6)	HMA 80 T4 4kW (A2:6)	HMA 80 T4 5,5kW (A2:6)

AIR FLOW - PRESSURE

No data to display

HMA 80 T6 0,75kW (A2:9)	HMA 80 T6 1,1kW (A2:9)	HMA 80 T6 1,5kW (A2:9)
HMA 80 T6 2,2kW (A2:9)		

AIR FLOW - PRESSURE

No data to display

HMA 80 T6 0,75kW (A5:6)	HMA 80 T6 1,1kW (A5:6)	HMA 80 T6 1,5kW (A5:6)
HMA 80 T6 2,2kW (A5:6)		

AIR FLOW - PRESSURE

No data to display

HMA 80 T6 0,75kW (A2:6)

HMA 80 T6 1,1kW (A2:6)

HMA 80 T6 1,5KW (A2:6)

AIR FLOW - PRESSURE

No data to display

HMA 80 T4/T6 1,5/0,5kW (A2:9)	HMA 80 T4/T6 2,2/0,6kW (A2:9)	HMA 80 T4/T6 3/0,9kW (A2:9)
HMA 80 T4/T6 4/1,1kW (A2:9)	HMA 80 T4/T6 5,5/1,85kW (A2:9)	

AIR FLOW - PRESSURE (4 poles)

No data to display

HMA 80 T4/T6 1,5/0,5kW (A2:9)	HMA 80 T4/T6 2,2/0,6kW (A2:9)	HMA 80 T4/T6 3/0,9kW (A2:9)
HMA 80 T4/T6 4/1,1kW (A2:9)	HMA 80 T4/T6 5,5/1,85kW (A2:9)	

AIR FLOW - PRESSURE (6 poles)

No data to display

HMA 80 T4/T6 3/0,9kW (A5:6)

HMA 80 T4/T6 4/1,1kW (A5:6)

AIR FLOW - PRESSURE (4 poles)

No data to display

HMA 80 T4/T6 3/0,9kW (A5:6)

HMA 80 T4/T6 4/1,1kW (A5:6)

AIR FLOW - PRESSURE (6 poles)

No data to display

HMA 80 T4/T6 1,1/0,37kW (A2:6)	HMA 80 T4/T6 1,5/0,5kW (A2:6)	HMA 80 T4/T6 2,2/0,6kW (A2:6)
HMA 80 T4/T6 3/0,9kW (A2:6)	HMA 80 T4/T6 4/1,1kW (A2:6)	HMA 80 T4/T6 5,5/1,85kW (A2:6)

AIR FLOW - PRESSURE (4 poles)

No data to display

HMA 80 T4/T6 1,1/0,37kW (A2:6)	HMA 80 T4/T6 1,5/0,5kW (A2:6)	HMA 80 T4/T6 2,2/0,6kW (A2:6)
HMA 80 T4/T6 3/0,9kW (A2:6)	HMA 80 T4/T6 4/1,1kW (A2:6)	HMA 80 T4/T6 5,5/1,85kW (A2:6)

AIR FLOW - PRESSURE (6 poles)

No data to display

HMA 80 T4/T8 3/0,55kW (A5:6)

HMA 80 T4/T8 4/0,75kW (A5:6)

AIR FLOW - PRESSURE (4 poles)

No data to display

HMA 80 T4/T8 3/0,55kW (A5:6)

HMA 80 T4/T8 4/0,75kW (A5:6)

AIR FLOW - PRESSURE (8 poles)

No data to display

HMA 80 T4/T8 1,1/0,18kW (A2:6)	HMA 80 T4/T8 1,5/0,25kW (A2:6)	HMA 80 T4/T8 2,2/0,37kW (A2:6)
HMA 80 T4/T8 3/0,55kW (A2:6)	HMA 80 T4/T8 4/0,75kW (A2:6)	HMA 80 T4/T8 5,5/1,1kW (A2:6)

AIR FLOW - PRESSURE (4 poles)

No data to display

HMA 80 T4/T8 1,1/0,18kW (A2:6)	HMA 80 T4/T8 1,5/0,25kW (A2:6)	HMA 80 T4/T8 2,2/0,37kW (A2:6)
HMA 80 T4/T8 3/0,55kW (A2:6)	HMA 80 T4/T8 4/0,75kW (A2:6)	HMA 80 T4/T8 5,5/1,1kW (A2:6)

AIR FLOW - PRESSURE (8 poles)

No data to display

HMA 80 T4/T8 1,5/0,25kW (A2:9)	HMA 80 T4/T8 2,2/0,37kW (A2:9)	HMA 80 T4/T8 3/0,55kW (A2:9)
HMA 80 T4/T8 4/0,75kW (A2:9)	HMA 80 T4/T8 5,5/1,1kW (A2:9)	

AIR FLOW - PRESSURE (4 poles)

No data to display

HMA 80 T4/T8 1,5/0,25kW (A2:9)	HMA 80 T4/T8 2,2/0,37kW (A2:9)	HMA 80 T4/T8 3/0,55kW (A2:9)
HMA 80 T4/T8 4/0,75kW (A2:9)	HMA 80 T4/T8 5,5/1,1kW (A2:9)	

AIR FLOW - PRESSURE (8 poles)

No data to display

HMA 90 T4 5,5kW (A6:6)	HMA 90 T4 7,5kW (A6:6)	HMA 90 T4 11kW (A6:6)
HMA 90 T4 15kW (A6:6)		

AIR FLOW - PRESSURE

No data to display

HMA 90 T4 3kW (A6:3)	HMA 90 T4 4kW (A6:3)	HMA 90 T4 5,5kW (A6:3)
HMA 90 T4 7,5kW (A6:3)	HMA 90 T4 11kW (A6:3)	

AIR FLOW - PRESSURE

No data to display

HMA 90 T6 1,5kW (A6:6)	HMA 90 T6 2,2kW (A6:6)	HMA 90 T6 3kW (A6:6)
HMA 90 T6 4kW (A6:6)		

AIR FLOW - PRESSURE

No data to display

HMA 90 T6 1,5kW (A6:3)

HMA 90 T6 2,2kW (A6:3)

HMA 90 T6 3kW (A6:3)

AIR FLOW - PRESSURE

No data to display

HMA 90 T4/T6 5,5/1,85kW (A6:6)	HMA 90 T4/T6 7,5/2,2kW (A6:6)	HMA 90 T4/T6 11/3,6kW (A6:6)
HMA 90 T4/T6 15/4,4kW (A6:6)		

AIR FLOW - PRESSURE (4 poles)

No data to display

HMA 90 T4/T6 5,5/1,85kW (A6:6)	HMA 90 T4/T6 7,5/2,2kW (A6:6)	HMA 90 T4/T6 11/3,6kW (A6:6)
HMA 90 T4/T6 15/4,4kW (A6:6)		

AIR FLOW - PRESSURE (6 poles)

No data to display

HMA 90 T4/T6 3/0,9kW (A6:3)	HMA 90 T4/T6 4/1,1kW (A6:3)	HMA 90 T4/T6 5,5/1,85kW (A6:3)
HMA 90 T4/T6 7,5/2,2kW (A6:3)	HMA 90 T4/T6 11/3,6kW (A6:3)	

AIR FLOW - PRESSURE (4 poles)

No data to display

HMA 90 T4/T6 3/0,9kW (A6:3)	HMA 90 T4/T6 4/1,1kW (A6:3)	HMA 90 T4/T6 5,5/1,85kW (A6:3)
HMA 90 T4/T6 7,5/2,2kW (A6:3)	HMA 90 T4/T6 11/3,6kW (A6:3)	

AIR FLOW - PRESSURE (6 poles)

No data to display

HMA 90 T4/T8 3/0,55kW (A6:3)	HMA 90 T4/T8 4/0,75kW (A6:3)	HMA 90 T4/T8 5,5/1,1kW (A6:3)
HMA 90 T4/T8 7,5/1,5kW (A6:3)	HMA 90 T4/T8 11/3kW (A6:3)	

AIR FLOW - PRESSURE (4 poles)

No data to display

HMA 90 T4/T8 3/0,55kW (A6:3)	HMA 90 T4/T8 4/0,75kW (A6:3)	HMA 90 T4/T8 5,5/1,1kW (A6:3)
HMA 90 T4/T8 7,5/1,5kW (A6:3)	HMA 90 T4/T8 11/3kW (A6:3)	

AIR FLOW - PRESSURE (8 poles)

No data to display

HMA 90 T4/T8 5,5/1,1kW (A6:6)	HMA 90 T4/T8 7,5/1,5kW (A6:6)	HMA 90 T4/T8 11/3kW (A6:6)
HMA 90 T4/T8 15/3,5kW (A6:6)		

AIR FLOW - PRESSURE (4 poles)

No data to display

HMA 90 T4/T8 5,5/1,1kW (A6:6)	HMA 90 T4/T8 7,5/1,5kW (A6:6)	HMA 90 T4/T8 11/3kW (A6:6)
HMA 90 T4/T8 15/3,5kW (A6:6)		

AIR FLOW - PRESSURE (8 poles)

No data to display

HMA 100 T4 7,5kW (A6:6)	HMA 100 T4 11kW (A6:6)	HMA 100 T4 15kW (A6:6)
HMA 100 T4 18,5kW (A6:6)	HMA 100 T4 22kW (A6:6)	

AIR FLOW - PRESSURE

No data to display

HMA 100 T4 5,5kW (A6:3)	HMA 100 T4 7,5kW (A6:3)	HMA 100 T4 11kW (A6:3)
HMA 100 T4 15kW (A6:3)		

AIR FLOW - PRESSURE

No data to display

HMA 100 T6 2,2kW (A6:6)	HMA 100 T6 3kW (A6:6)	HMA 100 T6 4kW (A6:6)
HMA 100 T6 5,5kW (A6:6)	HMA 100 T6 7,5kW (A6:6)	

AIR FLOW - PRESSURE

No data to display

HMA 100 T6 1,5kW (A6:3)	HMA 100 T6 2,2kW (A6:3)	HMA 100 T6 3kW (A6:3)
HMA 100 T6 4kW (A6:3)		

AIR FLOW - PRESSURE

No data to display

HMA 100 T4/T6 7,5/2,2kW (A6:6)	HMA 100 T4/T6 11/3,6kW (A6:6)	HMA 100 T4/T6 15/4,4kW (A6:6)
HMA 100 T4/T6 18,5/6kW (A6:6)	HMA 100 T4/T6 22/7,5kW (A6:6)	

AIR FLOW - PRESSURE (4 poles)

No data to display

HMA 100 T4/T6 7,5/2,2kW (A6:6)	HMA 100 T4/T6 11/3,6kW (A6:6)	HMA 100 T4/T6 15/4,4kW (A6:6)
HMA 100 T4/T6 18,5/6kW (A6:6)	HMA 100 T4/T6 22/7,5kW (A6:6)	

AIR FLOW - PRESSURE (6 poles)

No data to display

HMA 100 T4/T6 5,5/1,85kW (A6:3)	HMA 100 T4/T6 7,5/2,2kW (A6:3)	HMA 100 T4/T6 11/3,6kW (A6:3)
HMA 100 T4/T6 15/4,4kW (A6:3)		

AIR FLOW - PRESSURE (4 poles)

No data to display

HMA 100 T4/T6 5,5/1,85kW (A6:3)	HMA 100 T4/T6 7,5/2,2kW (A6:3)	HMA 100 T4/T6 11/3,6kW (A6:3)
HMA 100 T4/T6 15/4,4kW (A6:3)		

AIR FLOW - PRESSURE (6 poles)

No data to display

HMA 100 T4/T8 7,5/1,5kW (A6:6)	HMA 100 T4/T8 11/3kW (A6:6)	HMA 100 T4/T8 15/3,5kW (A6:6)
HMA 100 T4/T8 17/4,3kW (A6:6)	HMA 100 T4/T8 20/5kW (A6:6)	

AIR FLOW - PRESSURE (4 poles)

No data to display

HMA 100 T4/T8 7,5/1,5kW (A6:6)	HMA 100 T4/T8 11/3kW (A6:6)	HMA 100 T4/T8 15/3,5kW (A6:6)
HMA 100 T4/T8 17/4,3kW (A6:6)	HMA 100 T4/T8 20/5kW (A6:6)	

AIR FLOW - PRESSURE (8 poles)

No data to display

HMA 100 T4/T8 5,5/1,1kW (A6:3)	HMA 100 T4/T8 7,5/1,5kW (A6:3)	HMA 100 T4/T8 11/3kW (A6:3)
HMA 100 T4/T8 15/3,5kW (A6:3)		

AIR FLOW - PRESSURE (4 poles)

No data to display

HMA 100 T4/T8 5,5/1,1kW (A6:3)	HMA 100 T4/T8 7,5/1,5kW (A6:3)	HMA 100 T4/T8 11/3kW (A6:3)
HMA 100 T4/T8 15/3,5kW (A6:3)		

AIR FLOW - PRESSURE (8 poles)

No data to display

HMA 112 T4 11kW (A6:6)	HMA 112 T4 15kW (A6:6)	HMA 112 T4 18,5kW (A6:6)
HMA 112 T4 22kW (A6:6)	HMA 112 T4 30kW (A6:6)	

AIR FLOW - PRESSURE

No data to display

HMA 112 T4 5,5kW (A6:3)	HMA 112 T4 7,5kW (A6:3)	HMA 112 T4 11kW (A6:3)
HMA 112 T4 15kW (A6:3)	HMA 112 T4 18,5kW (A6:3)	HMA 112 T4 22kW (A6:3)

AIR FLOW - PRESSURE

No data to display

HMA 112 T6 2,2kW (A6:6)	HMA 112 T6 3kW (A6:6)	HMA 112 T6 4kW (A6:6)
HMA 112 T6 5,5kW (A6:6)	HMA 112 T6 7,5kW (A6:6)	HMA 112 T6 11kW (A6:6)

AIR FLOW - PRESSURE

No data to display

HMA 112 T6 2,2kW (A6:3)	HMA 112 T6 3kW (A6:3)	HMA 112 T6 4kW (A6:3)
HMA 112 T6 5,5kW (A6:3)		

AIR FLOW - PRESSURE

No data to display

HMA 112 T4/T6 11/3,6kW (A6:6)	HMA 112 T4/T6 15/4,4kW (A6:6)	HMA 112 T4/T6 18,5/6kW (A6:6)
HMA 112 T4/T6 22/7,5kW (A6:6)		

AIR FLOW - PRESSURE (4 poles)

No data to display

HMA 112 T4/T6 11/3,6kW (A6:6)	HMA 112 T4/T6 15/4,4kW (A6:6)	HMA 112 T4/T6 18,5/6kW (A6:6)
HMA 112 T4/T6 22/7,5kW (A6:6)		

AIR FLOW - PRESSURE (6 poles)

No data to display

HMA 112 T4/T6 5,5/1,85kW (A6:3)	HMA 112 T4/T6 7,5/2,2kW (A6:3)	HMA 112 T4/T6 11/3,6kW (A6:3)
HMA 112 T4/T6 15/4,4kW (A6:3)	HMA 112 T4/T6 18,5/6kW (A6:3)	HMA 112 T4/T6 22/7,5kW (A6:3)

AIR FLOW - PRESSURE (4 poles)

No data to display

HMA 112 T4/T6 5,5/1,85kW (A6:3)	HMA 112 T4/T6 7,5/2,2kW (A6:3)	HMA 112 T4/T6 11/3,6kW (A6:3)
HMA 112 T4/T6 15/4,4kW (A6:3)	HMA 112 T4/T6 18,5/6kW (A6:3)	HMA 112 T4/T6 22/7,5kW (A6:3)

AIR FLOW - PRESSURE (6 poles)

No data to display

HMA 112 T4/T8 11/3kW (A6:6)	HMA 112 T4/T8 15/3,5kW (A6:6)	HMA 112 T4/T8 17/4,3kW (A6:6)
HMA 112 T4/T8 20/5kW (A6:6)	HMA 112 T4/T8 28/6,5kW (A6:6)	HMA 112 T4/T8 35/8kW (A6:6)

AIR FLOW - PRESSURE (4 poles)

No data to display

HMA 112 T4/T8 11/3kW (A6:6)	HMA 112 T4/T8 15/3,5kW (A6:6)	HMA 112 T4/T8 17/4,3kW (A6:6)
HMA 112 T4/T8 20/5kW (A6:6)	HMA 112 T4/T8 28/6,5kW (A6:6)	HMA 112 T4/T8 35/8kW (A6:6)

AIR FLOW - PRESSURE (8 poles)

No data to display

HMA 112 T4/T8 5,5/1,1kW (A6:3)	HMA 112 T4/T8 7,5/1,5kW (A6:3)	HMA 112 T4/T8 11/3kW (A6:3)
HMA 112 T4/T8 15/3,5kW (A6:3)	HMA 112 T4/T8 17/4,3kW (A6:3)	HMA 112 T4/T8 20/5kW (A6:3)

AIR FLOW - PRESSURE (4 poles)

No data to display

HMA 112 T4/T8 5,5/1,1kW (A6:3)	HMA 112 T4/T8 7,5/1,5kW (A6:3)	HMA 112 T4/T8 11/3kW (A6:3)
HMA 112 T4/T8 15/3,5kW (A6:3)	HMA 112 T4/T8 17/4,3kW (A6:3)	HMA 112 T4/T8 20/5kW (A6:3)

AIR FLOW - PRESSURE (8 poles)

No data to display

HMA 125 T4 15kW (A7:8)	HMA 125 T4 18,5kW (A7:8)	HMA 125 T4 22kW (A7:8)
HMA 125 T4 30kW (A7:8)	HMA 125 T4 37kW (A7:8)	HMA 125 T4 45kW (A7:8)

AIR FLOW - PRESSURE

No data to display

HMA 125 T4 11kW (A7:4)	HMA 125 T4 15kW (A7:4)	HMA 125 T4 18,5kW (A7:4)
HMA 125 T4 22kW (A7:4)	HMA 125 T4 30kW (A7:4)	HMA 125 T4 37kW (A7:4)

AIR FLOW - PRESSURE

No data to display

HMA 125 T6 3kW (A7:4)	HMA 125 T6 4kW (A7:4)	HMA 125 T6 5,5kW (A7:4)
HMA 125 T6 7,5kW (A7:4)	HMA 125 T6 11kW (A7:4)	

AIR FLOW - PRESSURE

No data to display

HMA 125 T6 5,5kW (A7:8)	HMA 125 T6 7,5kW (A7:8)	HMA 125 T6 11kW (A7:8)
HMA 125 T6 15kW (A7:8)		

AIR FLOW - PRESSURE

No data to display

HMA 125 T4/T6 15/4,4kW (A7:8)

HMA 125 T4/T6 18,5/6kW (A7:8)

HMA 125 T4/T6 22/7,5kW (A7:8)

AIR FLOW - PRESSURE (4 poles)

No data to display

HMA 125 T4/T6 15/4,4kW (A7:8)

HMA 125 T4/T6 18,5/6kW (A7:8)

HMA 125 T4/T6 22/7,5kW (A7:8)

AIR FLOW - PRESSURE (6 poles)

No data to display

HMA 125 T4/T6 11/3,6kW (A7:4)	HMA 125 T4/T6 15/4,4kW (A7:4)	HMA 125 T4/T6 18,5/6kW (A7:4)
HMA 125 T4/T6 22/7,5kW (A7:4)		

AIR FLOW - PRESSURE (4 poles)

No data to display

HMA 125 T4/T6 11/3,6kW (A7:4)	HMA 125 T4/T6 15/4,4kW (A7:4)	HMA 125 T4/T6 18,5/6kW (A7:4)
HMA 125 T4/T6 22/7,5kW (A7:4)		

AIR FLOW - PRESSURE (6 poles)

No data to display

HMA 125 T4/T8 15/3,5kW (A7:8)	HMA 125 T4/T8 20/5kW (A7:8)	HMA 125 T4/T8 28/6,5kW (A7:8)
HMA 125 T4/T8 35/8kW (A7:8)	HMA 125 T4/T8 37/9,2kW (A7:8)	HMA 125 T4/T8 44/11kW (A7:8)

AIR FLOW - PRESSURE (4 poles)

No data to display

HMA 125 T4/T8 15/3,5kW (A7:8)	HMA 125 T4/T8 20/5kW (A7:8)	HMA 125 T4/T8 28/6,5kW (A7:8)
HMA 125 T4/T8 35/8kW (A7:8)	HMA 125 T4/T8 37/9,2kW (A7:8)	HMA 125 T4/T8 44/11kW (A7:8)

AIR FLOW - PRESSURE (8 poles)

No data to display

HMA 125 T4/T8 11/3kW (A7:4)	HMA 125 T4/T8 15/3,5kW (A7:4)	HMA 125 T4/T8 17/4,3kW (A7:4)
HMA 125 T4/T8 20/5kW (A7:4)	HMA 125 T4/T8 28/6,5kW (A7:4)	HMA 125 T4/T8 35/8kW (A7:4)

AIR FLOW - PRESSURE (4 poles)

No data to display

HMA 125 T4/T8 11/3kW (A7:4)	HMA 125 T4/T8 15/3,5kW (A7:4)	HMA 125 T4/T8 17/4,3kW (A7:4)
HMA 125 T4/T8 20/5kW (A7:4)	HMA 125 T4/T8 28/6,5kW (A7:4)	HMA 125 T4/T8 35/8kW (A7:4)

AIR FLOW - PRESSURE (8 poles)

No data to display