

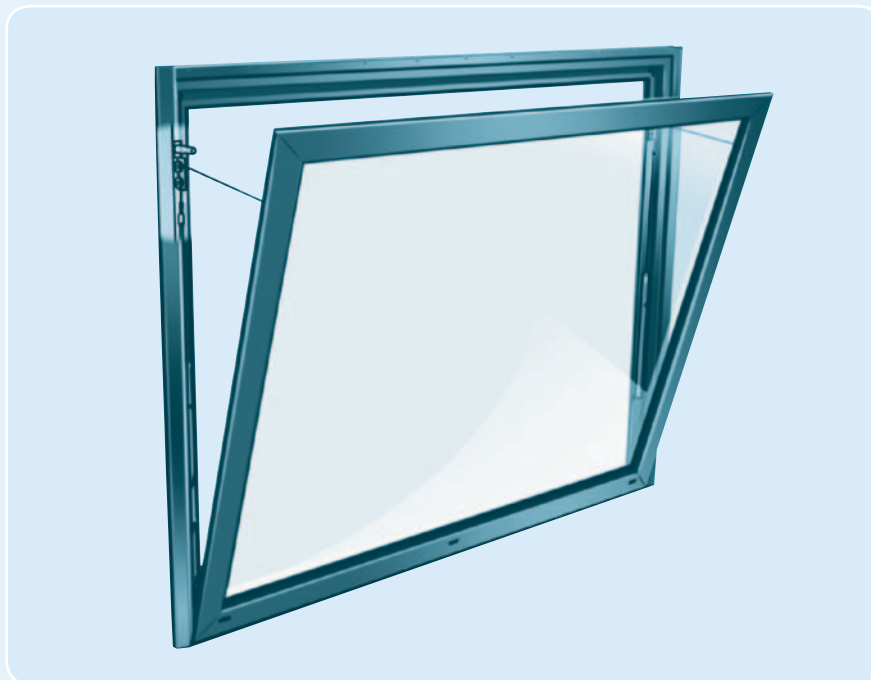


Brakel® Inova



Stylish ventlight for facade application with concealed controls

The Inova is a natural ventilation window that is suitable for natural, day-to-day ventilation and for fire ventilation. The Inova - with its slim profile - is an aesthetic, high-grade ventlight for facade applications. The controls for the frame have been completely embedded in the structure. Applications: atria, shopping centres, train stations and airports.



Options

The Inova can be supplied untreated, anodised or powder-coated (in any RAL colour you require). The following designs can be supplied in the ventlight: single-walled aluminium, double-walled aluminium insulated, laminated glass, insulated glass and double-walled polycarbonate.

Designs

The Inova has an extremely slim profile which means that the system is ideally suited for use in facades. The mounting angle is 90°, the opening angle in relation to the base structure is 30° as standard. The Inova is used for both day-to-day ventilation and fire ventilation. The structure consists of a completely thermally insulated aluminium profile section.

The design ensures that the external appearance has also been perfectly finished in detail. The frame is sealed with EPDM rubbers.

Regulations

The system is tested and certified in accordance with EN 12101-2.

Flanges

The flange thickness of the Inova can be varied from 5 mm to 55 mm.

External appearance

Any rectangular shapes are possible as standard with:

- frame height of 780 - 2280 mm
- frame width of 780 - 2580 mm
- maximum panel surface area of 3,5 m²
- glass thickness 6-40 mm
- opening angle of 30° as standard
(variations by agreement)

The weight depends on dimensioning and panel.

The maximum weight of the panel is 45 kg/m².

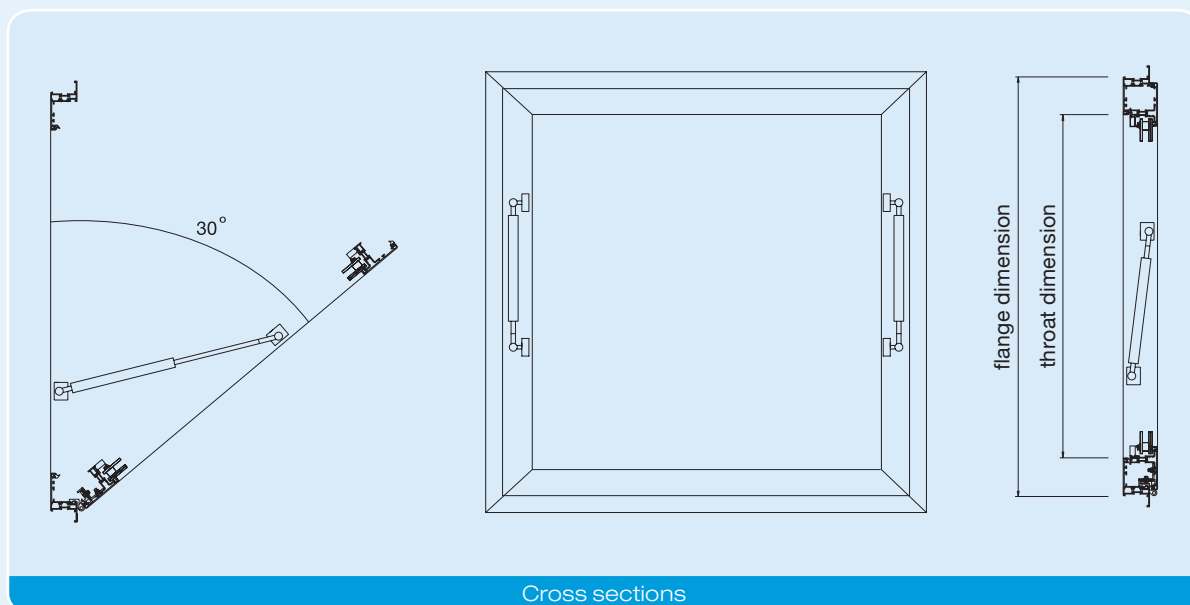
Control system

The entire control system for the Inova is completely concealed inside the structure in its closed state. Gas springs or motors are not therefore visible, which means that the Inova can be used in any situation. It is also possible to very easily clean the window.

M chain motor 24V

MB chain motor 24V with electric fire switch

Extras: **FS** failsafe



Cross sections

